



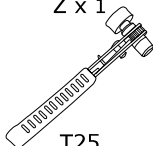
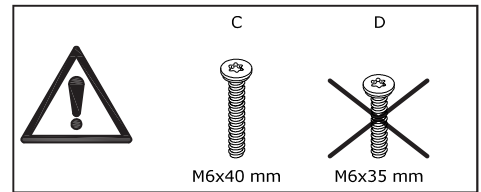
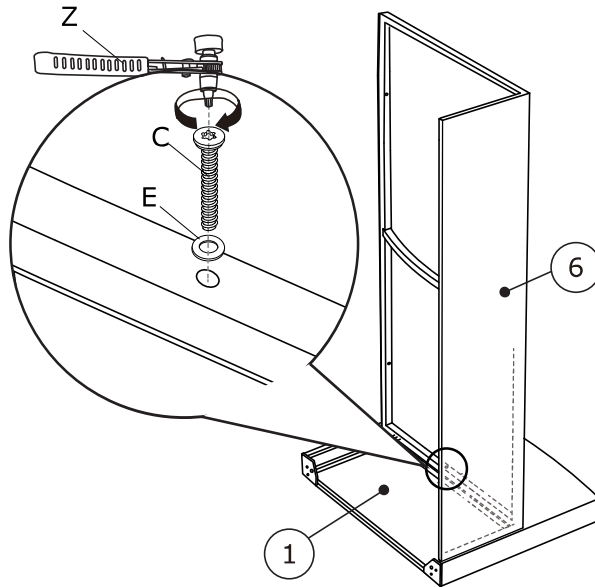
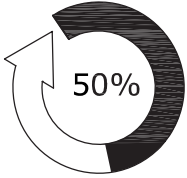




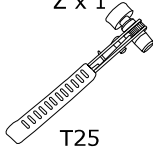


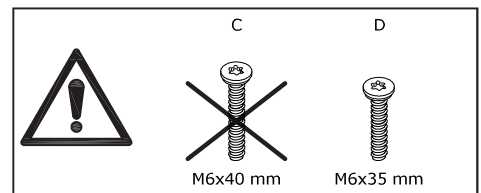
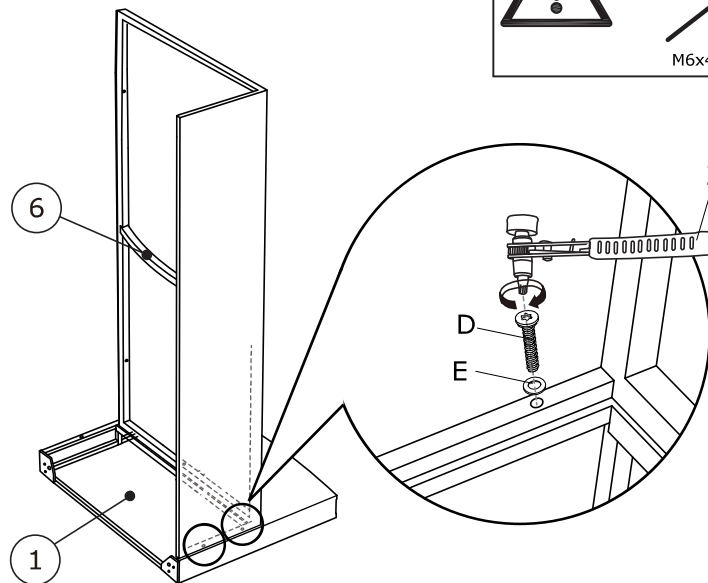
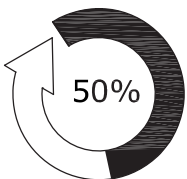
1

C x 1  M6x40 mm	E x 1  Ø6/Ø14 mm	H x 1  T25	Y x 1  T25	Z x 1  T25	
--	---	---	---	---	--






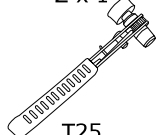


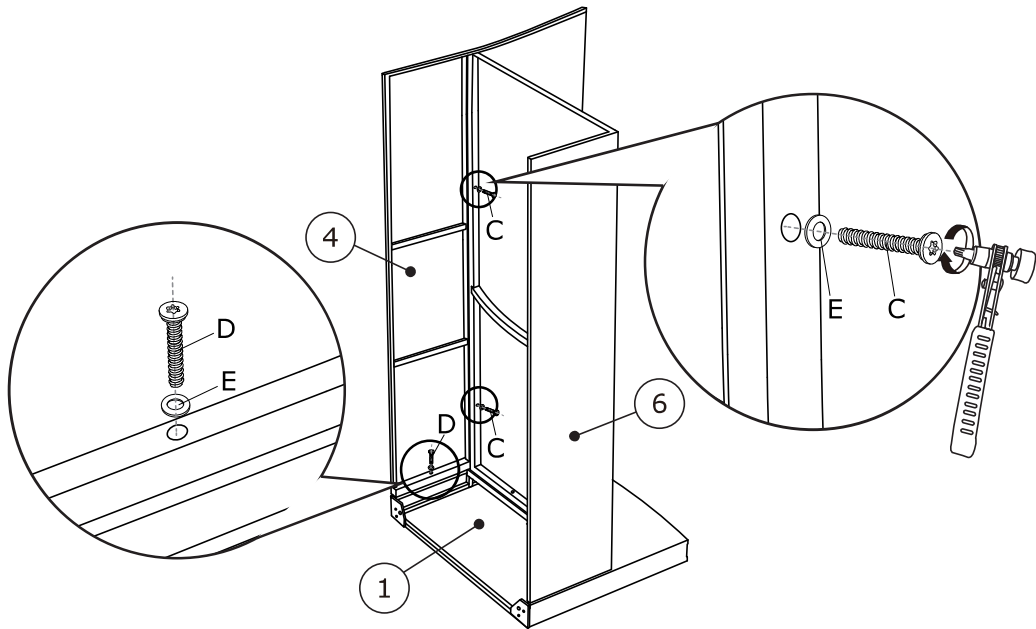
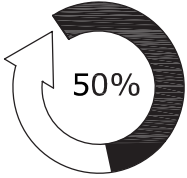
2

D x 2  M6x35 mm	E x 2  Ø6/Ø14 mm	H x 1  T25	Y x 1  T25	Z x 1  T25	
--	---	---	---	---	--









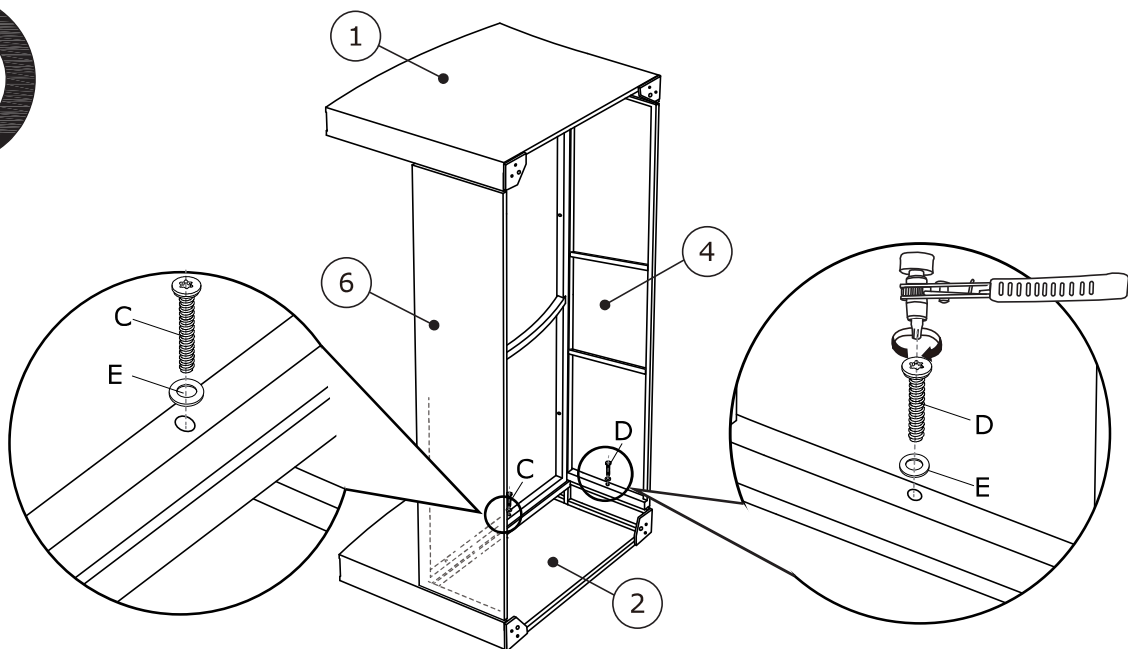
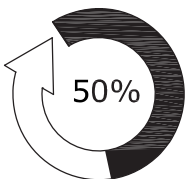
3

C x 2  M6x40 mm	D x 1  M6x35 mm	Ex 3  Ø6/Ø14 mm	H x 1  T25	Y x 1  T25	Z x 1  T25	
--	--	--	---	---	---	--








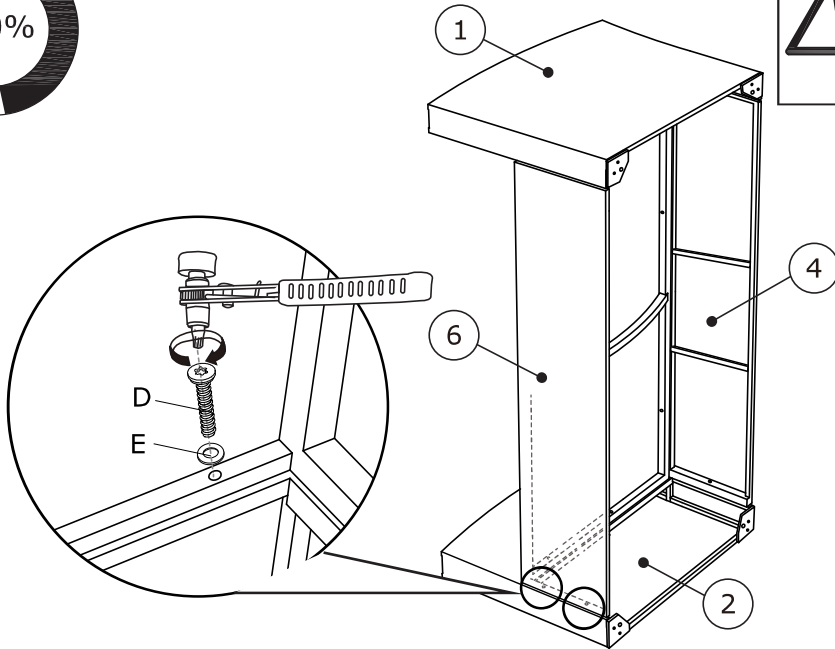
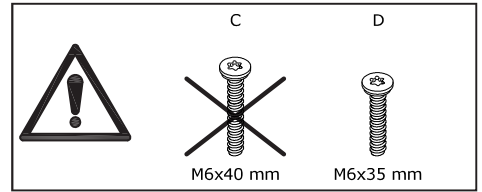
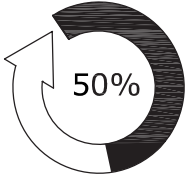
4

C x 1  M6x40 mm	D x 1  M6x35 mm	E x 2  Ø6/Ø14 mm	H x 1  T25	Y x 1  T25	Z x 1  T25	
--	--	---	---	---	---	--








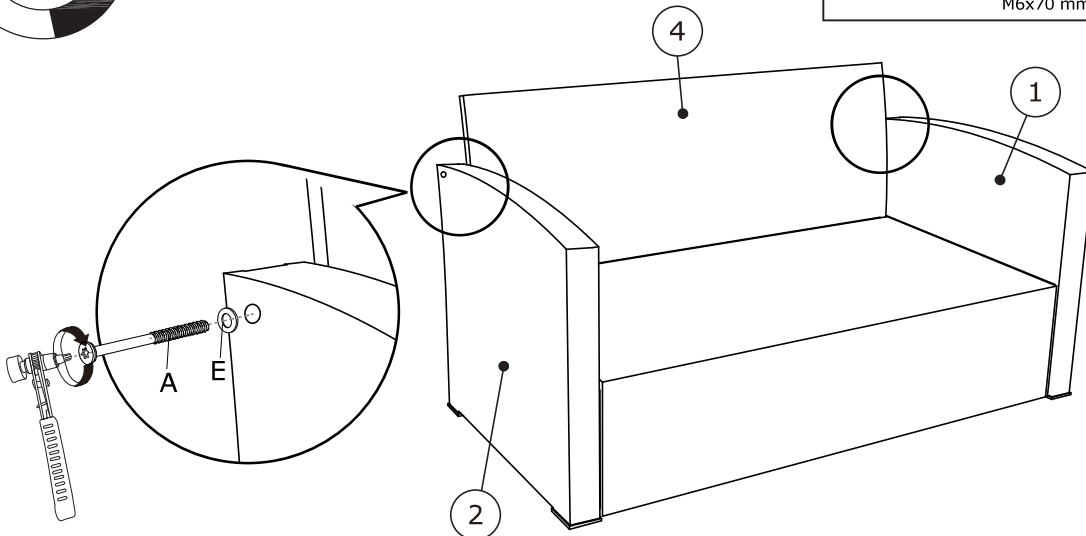
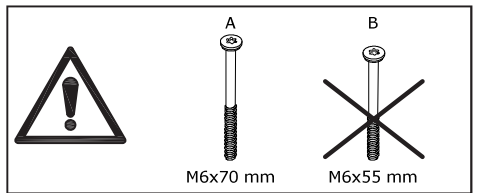
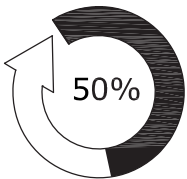
5

D x 2  M6x35 mm	E x 2  Ø6/Ø14 mm	H x 1  T25	Y x 1  T25	Z x 1  T25	
--	---	---	---	---	--

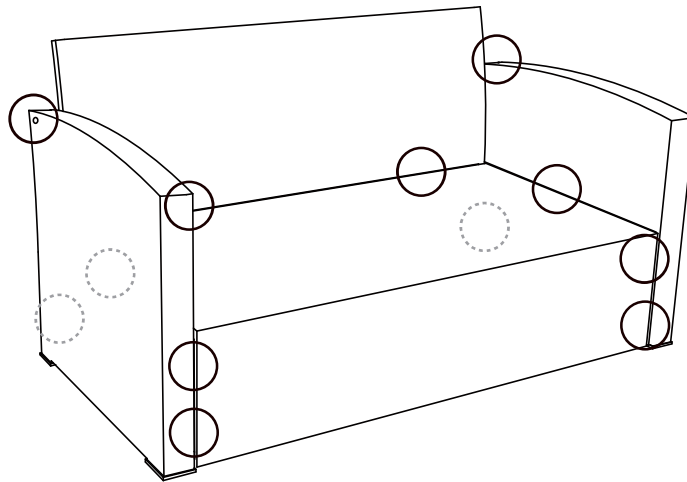
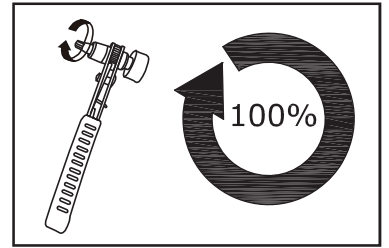
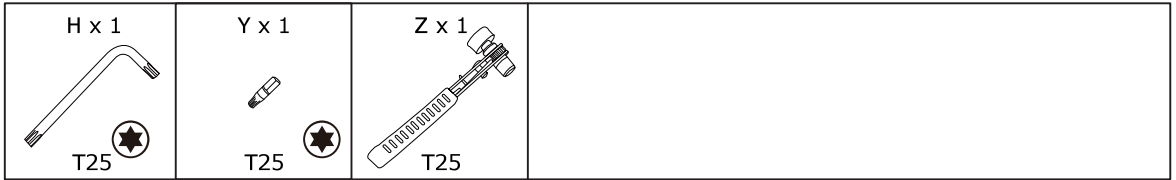


6

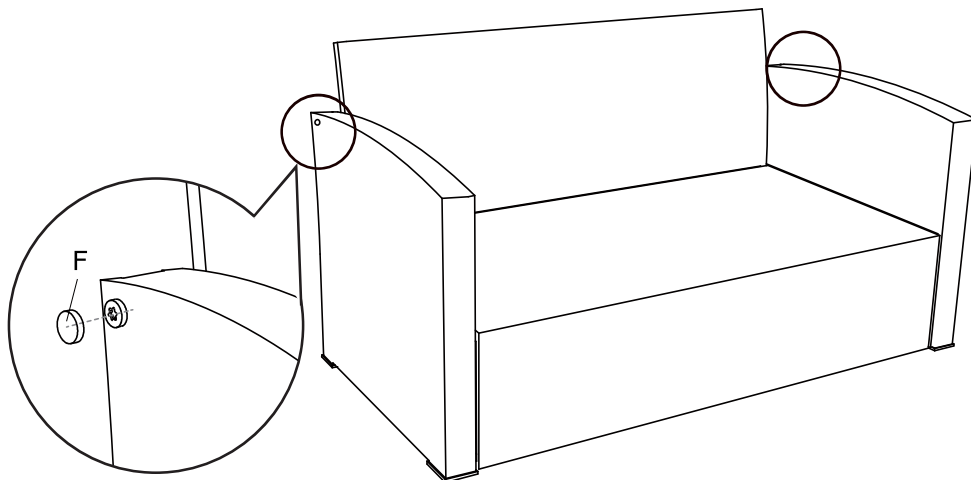
A x 2  M6x70 mm	E x 2  Ø6/Ø14 mm	H x 1  T25	Y x 1  T25	Z x 1  T25	
--	---	---	---	---	--



7

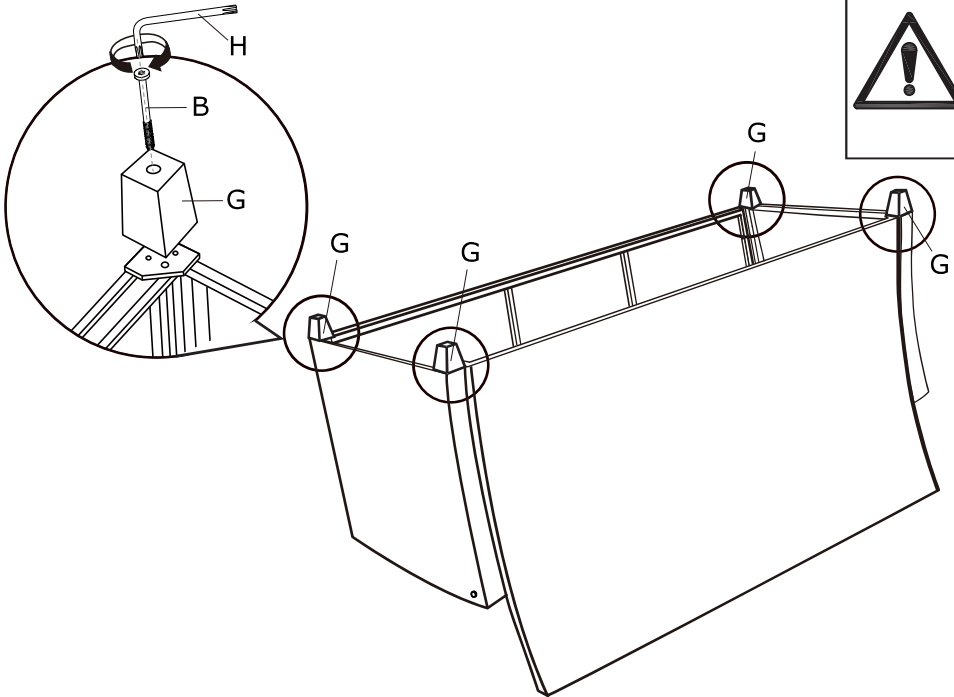


8

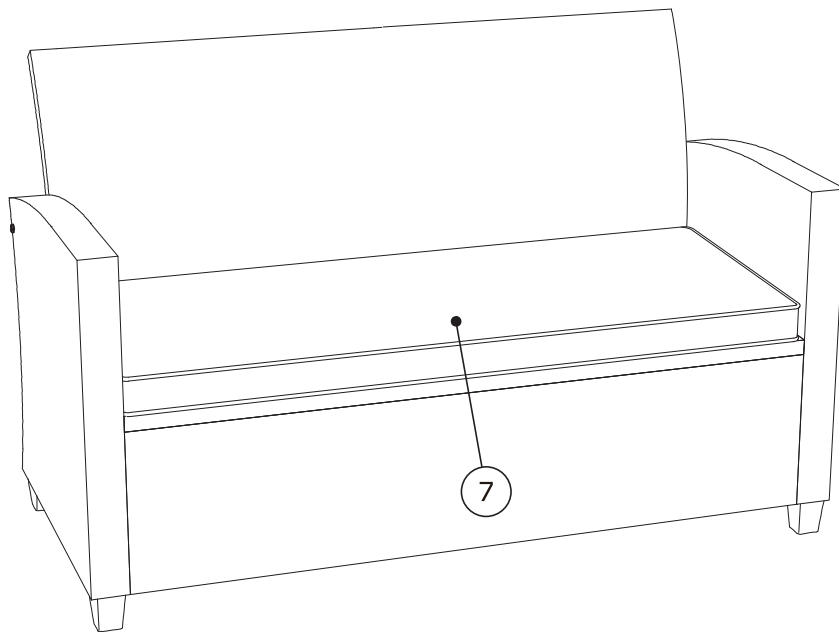


9





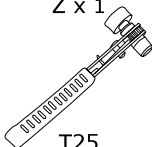
<p>B x 4 M6x55 mm</p> 	<p>H x 1 T25</p> 	<p>G x 4 50x50x68 mm</p> 	
---	--	--	--

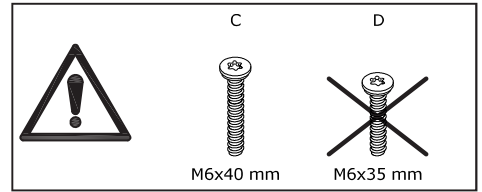
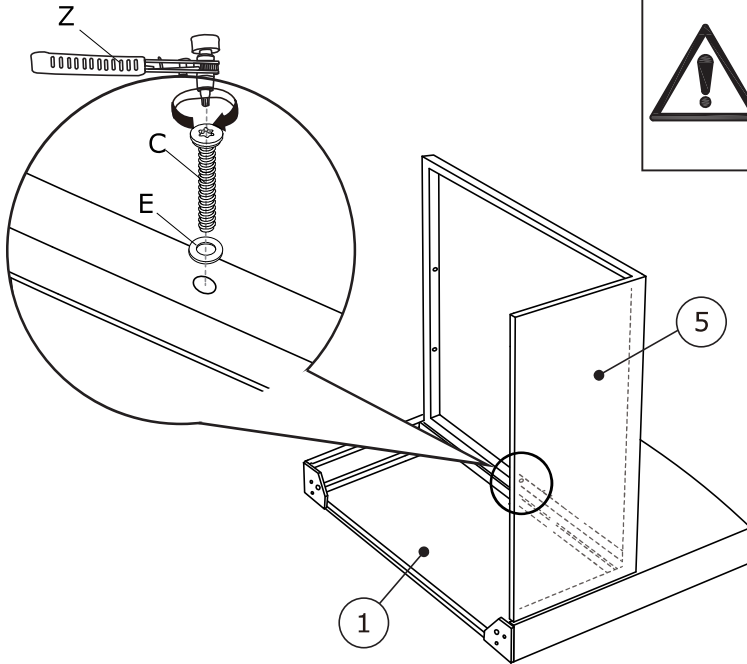
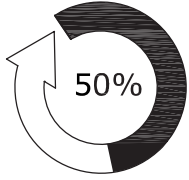


10





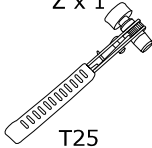


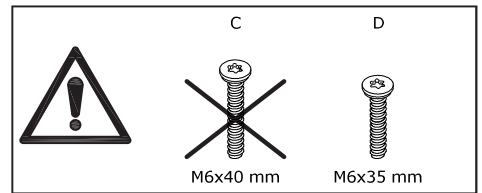
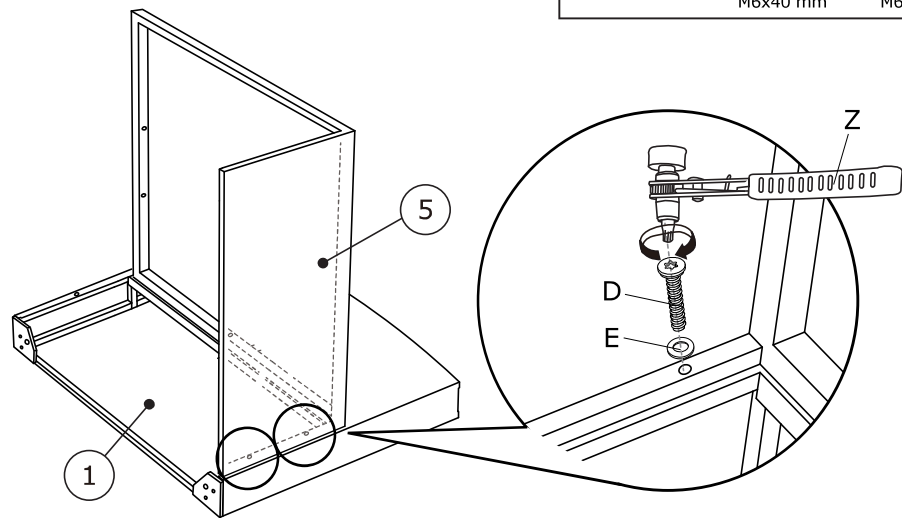
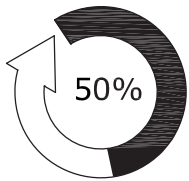
11

C x 1  M6x40 mm	E x 1  Ø6/Ø14 mm	H x 1  T25	Y x 1  T25	Z x 1  T25	
--	---	---	---	---	--








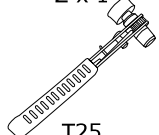


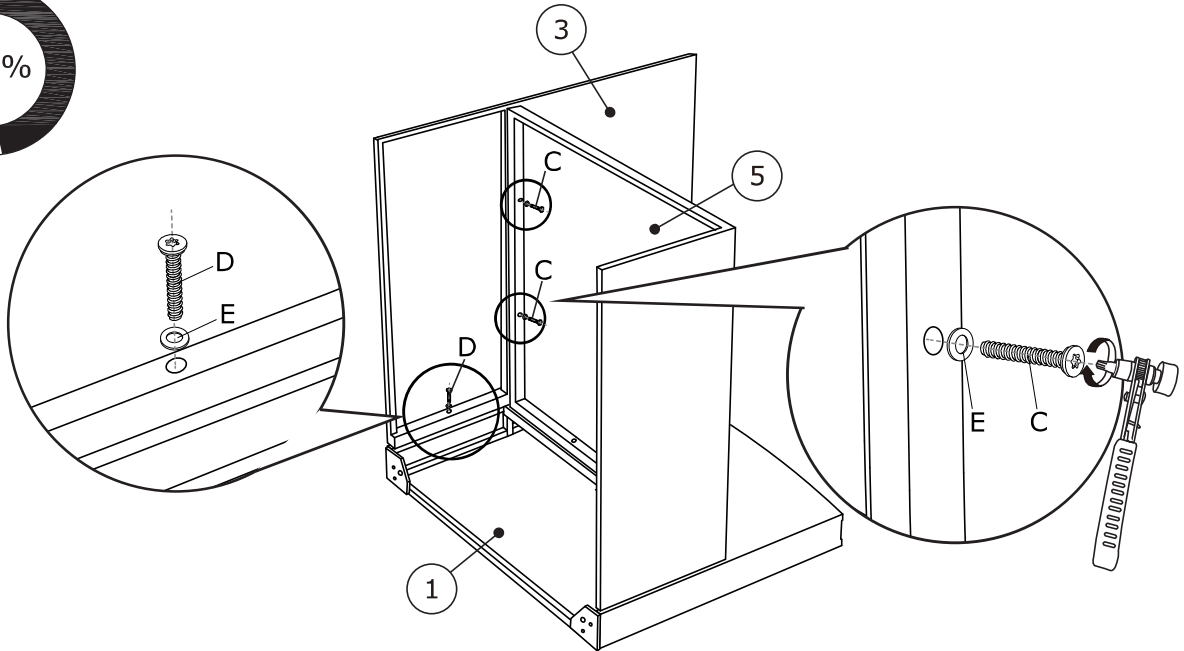
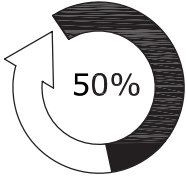
12

D x 2  M6x35 mm	E x 2  Ø6/Ø14 mm	H x 1  T25	Y x 1  T25	Z x 1  T25	
--	---	---	---	---	--











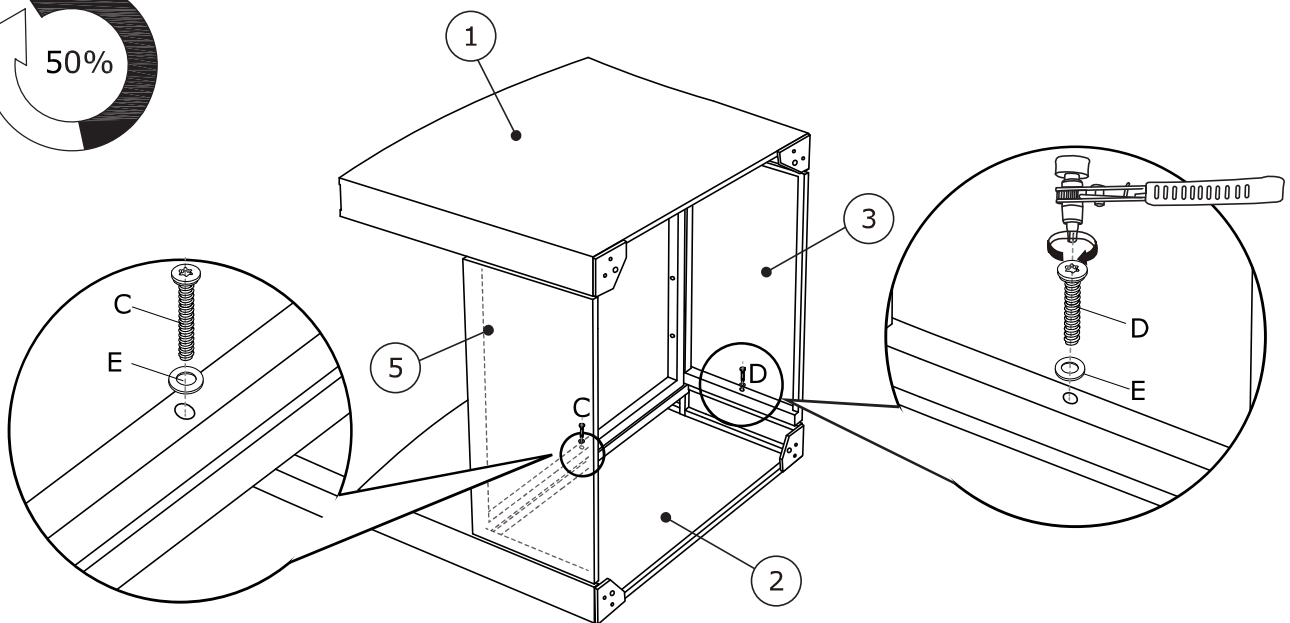
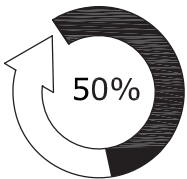
13

C x 2  M6x40 mm	D x 1  M6x35 mm	E x 3  Ø6/Ø14 mm	H x 1  T25 	Y x 1  T25 	Z x 1  T25	
--	--	---	---	---	---	--





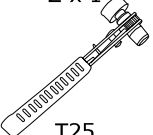


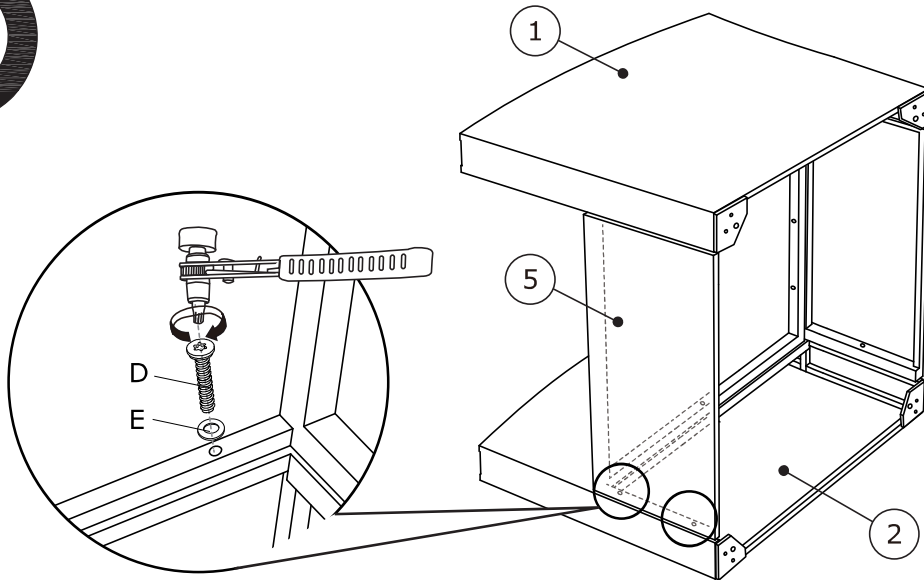
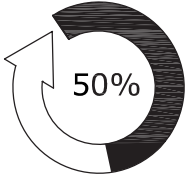
14

C x 1  M6x40 mm	D x 1  M6x35 mm	E x 2  Ø6/Ø14 mm	H x 1  T25 	Y x 1  T25 	Z x 1  T25	
--	--	---	---	---	---	--





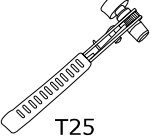


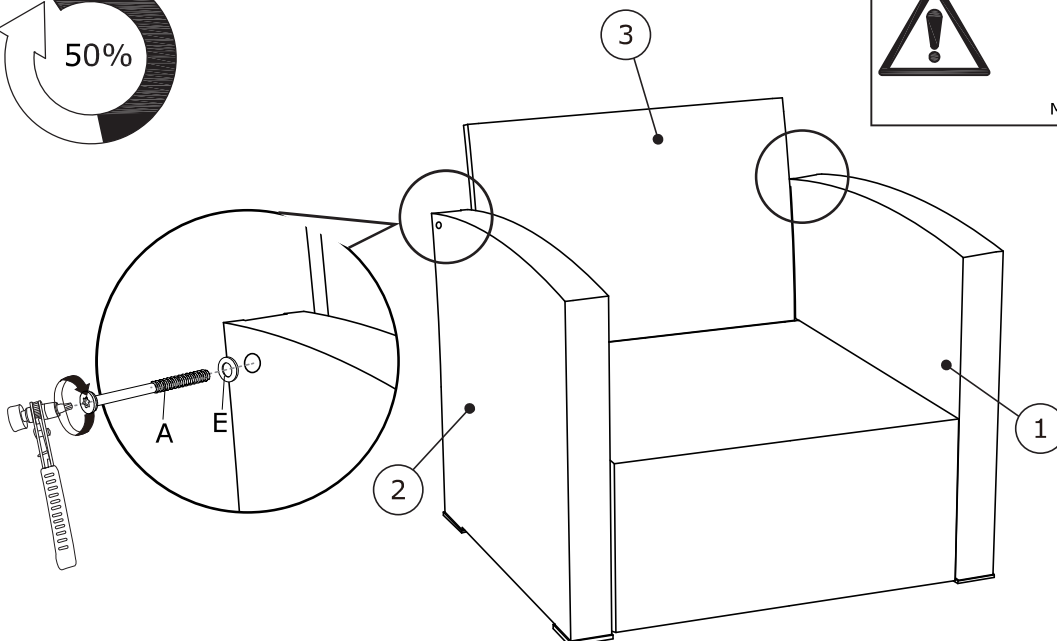
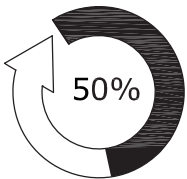
15

D x 2  M6x35 mm	E x 2  Ø6/Ø14 mm	H x 1  T25	Y x 1  T25	Z x 1  T25	
--	---	---	---	---	--



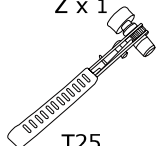


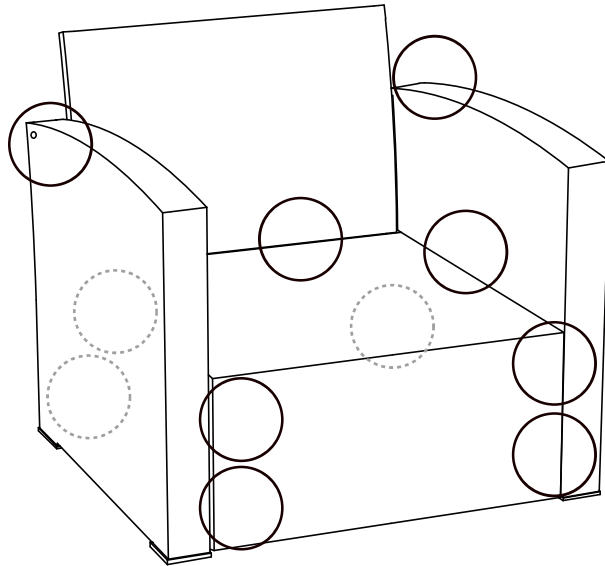
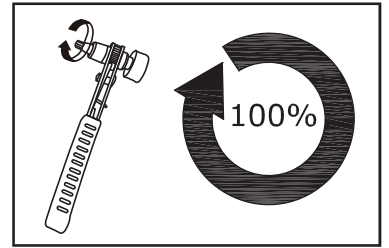
16

A x 2  M6x70 mm	E x 2  Ø6/Ø14 mm	H x 1  T25	Y x 1  T25	Z x 1  T25	
--	---	---	---	---	--



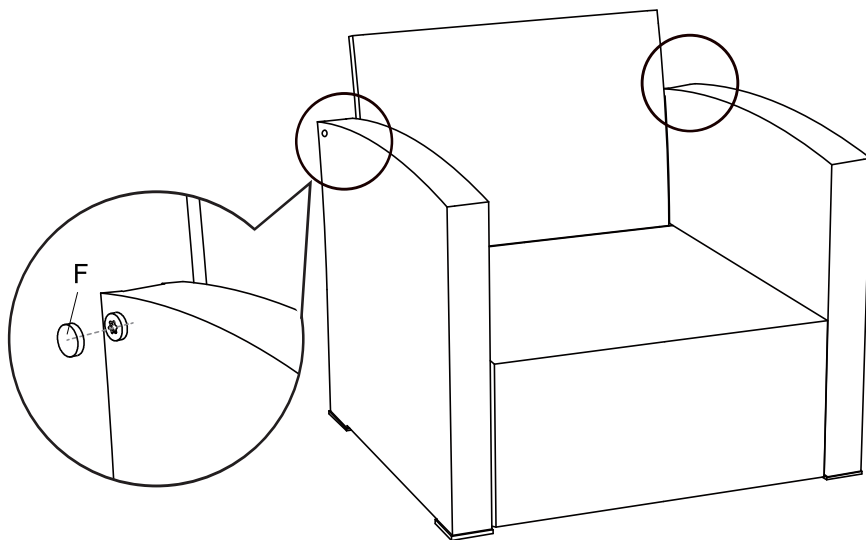
17

H x 1  T25	Y x 1  T25	Z x 1  T25	
---	---	---	--





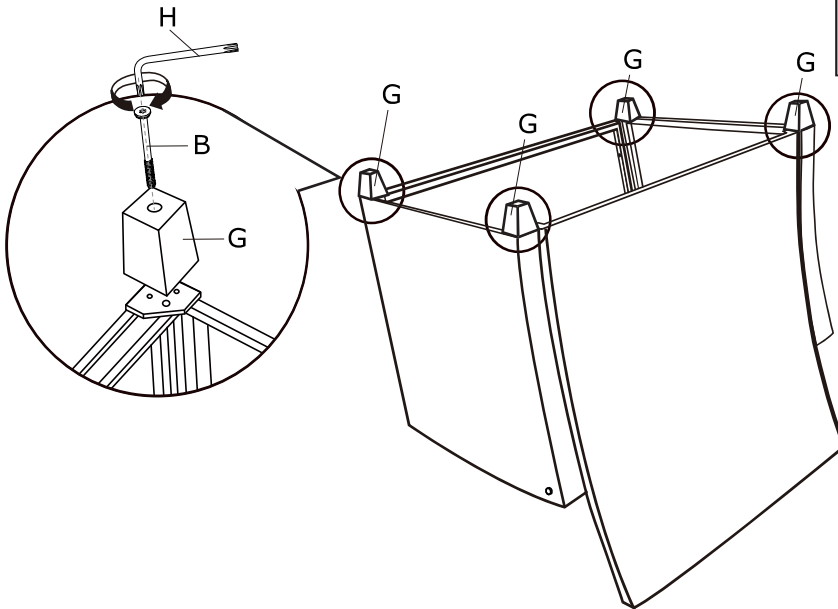
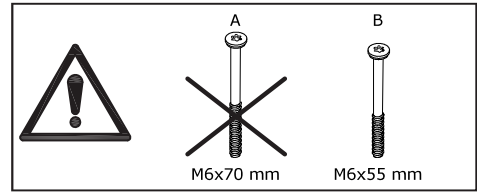
18

F x 2  Ø16 mm	
--	--

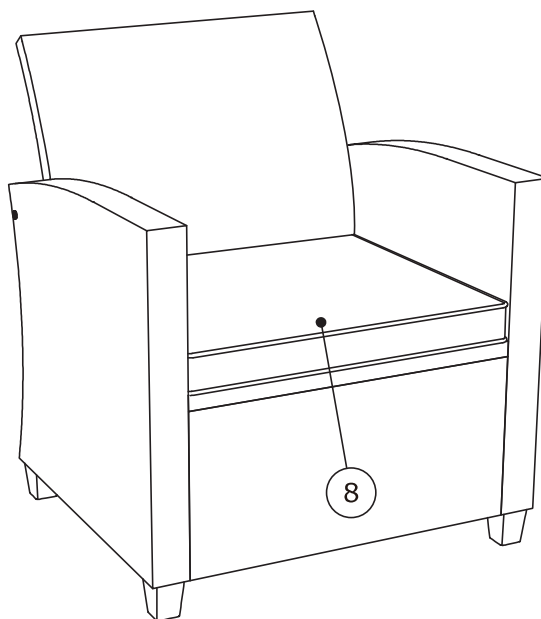


19






<p>B x 4 M6x55 mm</p> 	<p>H x 1 T25</p> 	<p>G x 4 50x50x68 mm</p> 	
---	--	--	--

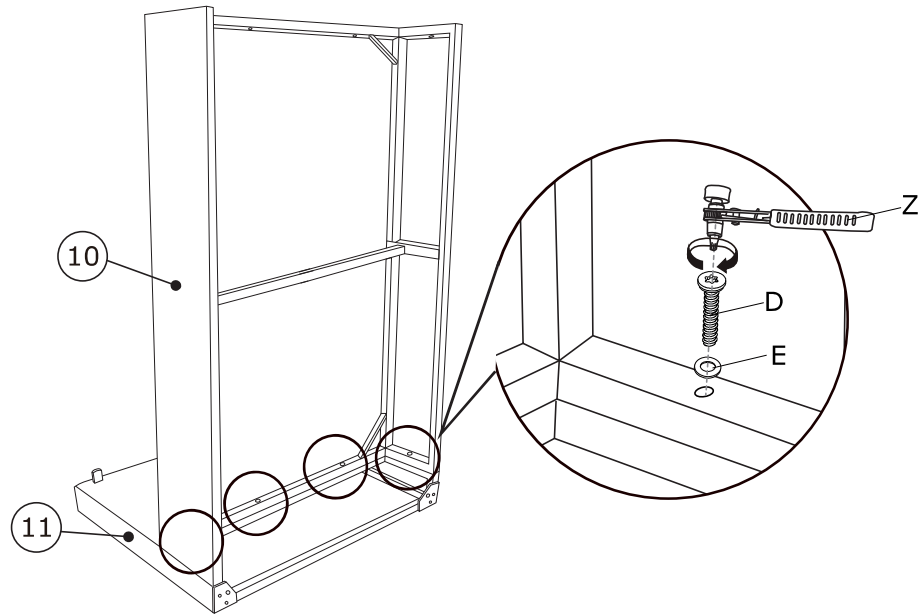


20





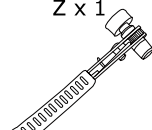


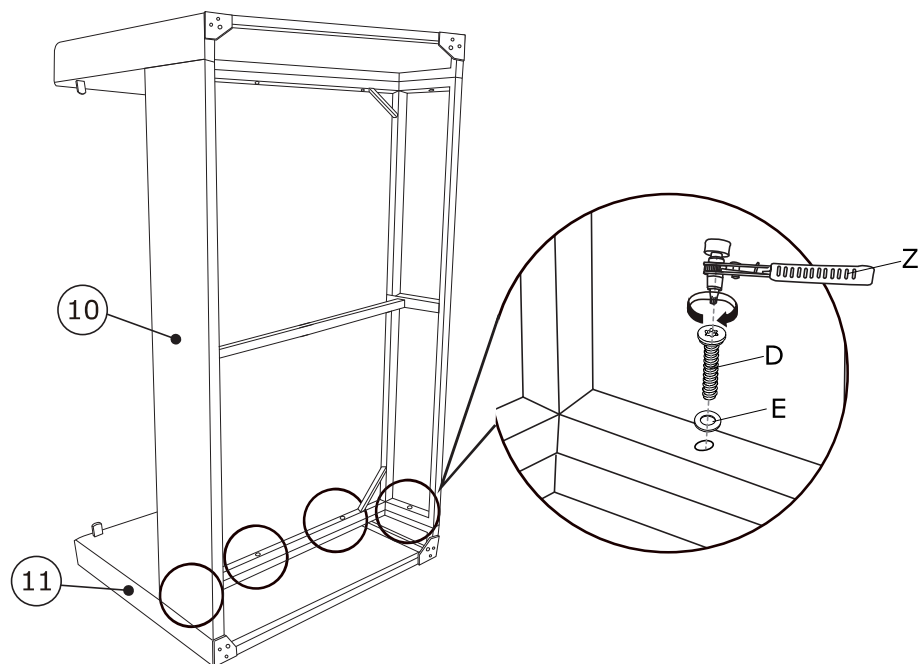
21

D x 4  M6x35 mm	E x 4  Ø6/Ø14 mm	H x 1  T25	Y x 1  T25	Z x 1  T25	
--	---	---	---	---	--






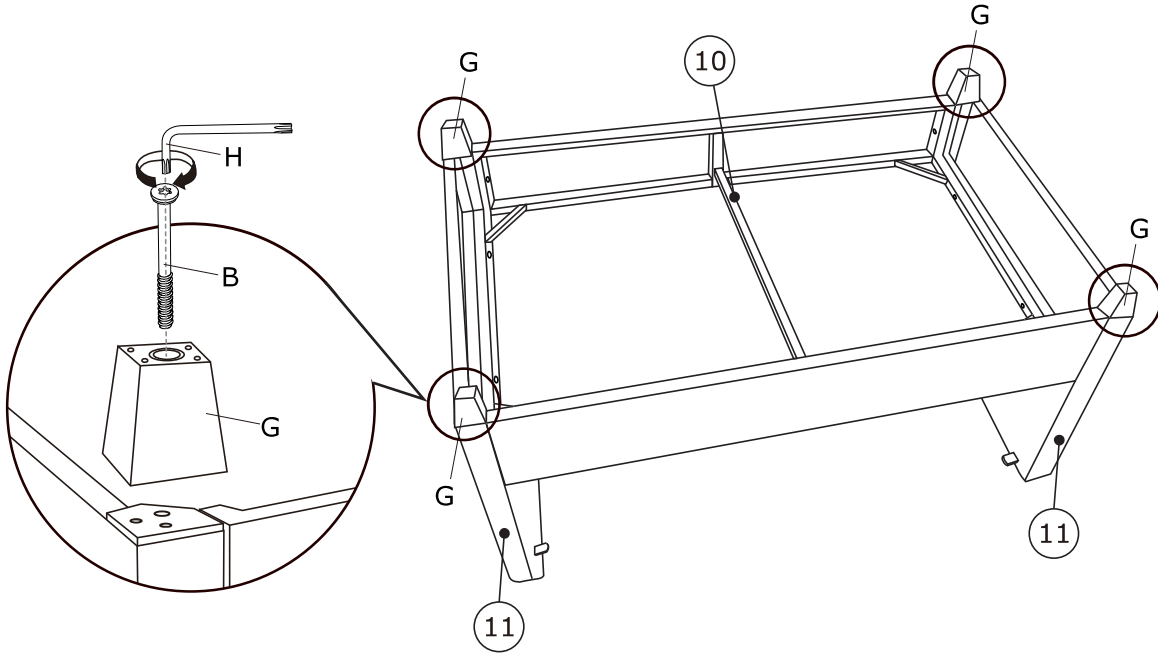
22

D x 4  M6x35 mm	E x 4  Ø6/Ø14 mm	H x 1  T25	Y x 1  T25	Z x 1  T25	
--	---	---	---	---	--

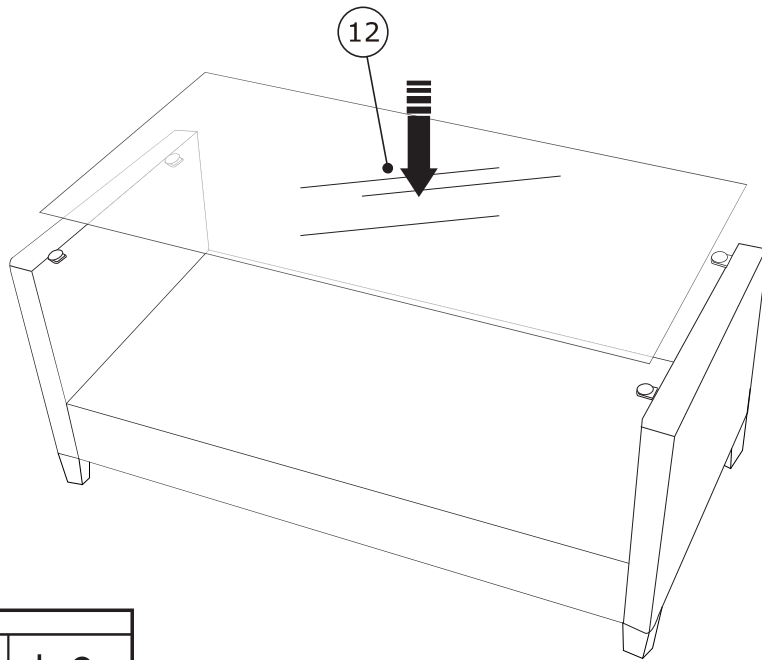





23

<p>B x 4</p>  <p>M6x55 mm</p>	<p>G x 4</p>  <p>50x50x68 mm</p>	<p>H x 1</p>  <p>T25</p>	
--	---	---	--



24



EN581		
		
✓	✓	✗