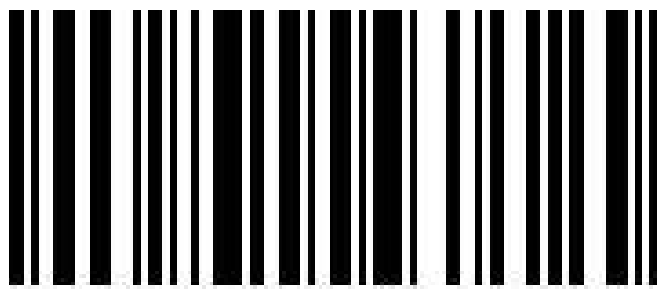
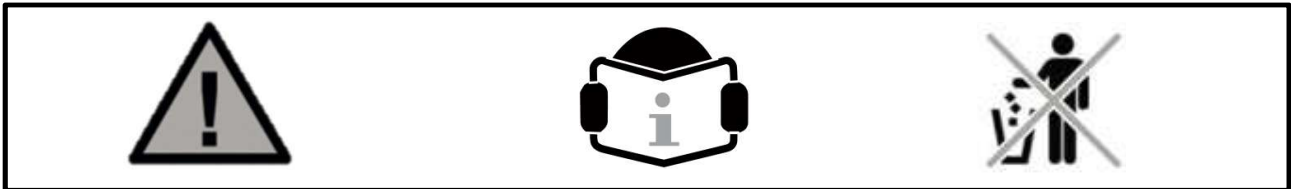


DINING CHAIR

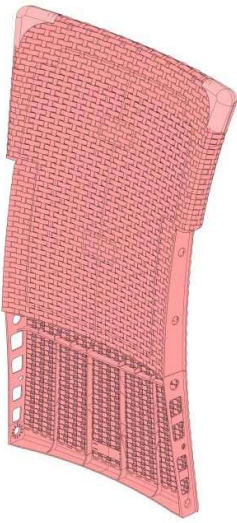
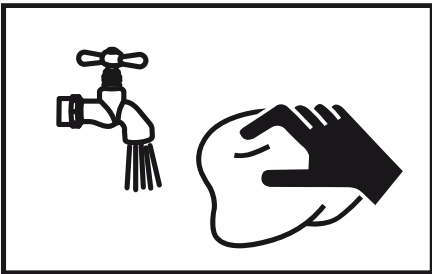


568222

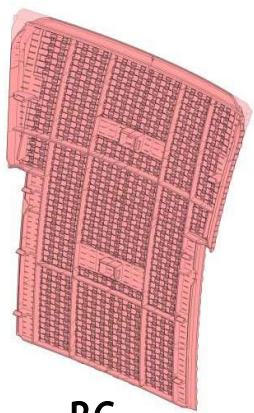
"DINING CHAIR" V10.3/ 568222 /442084



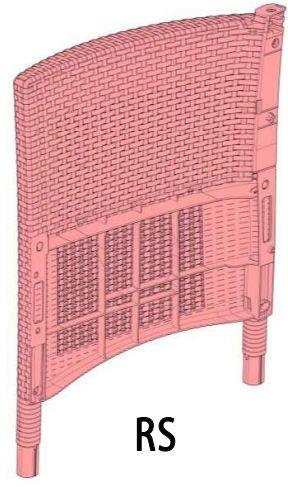
NEN 581		
✓	✓	✗



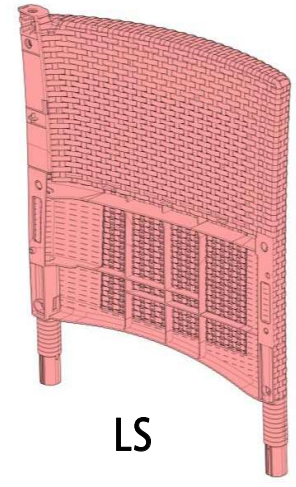
B



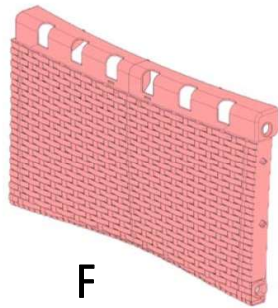
BC



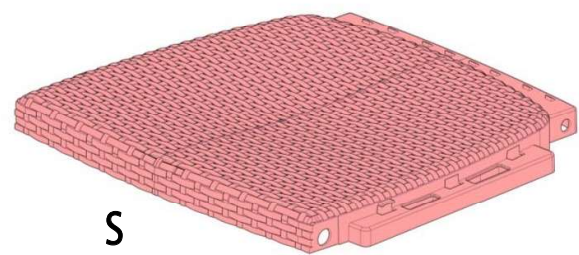
RS



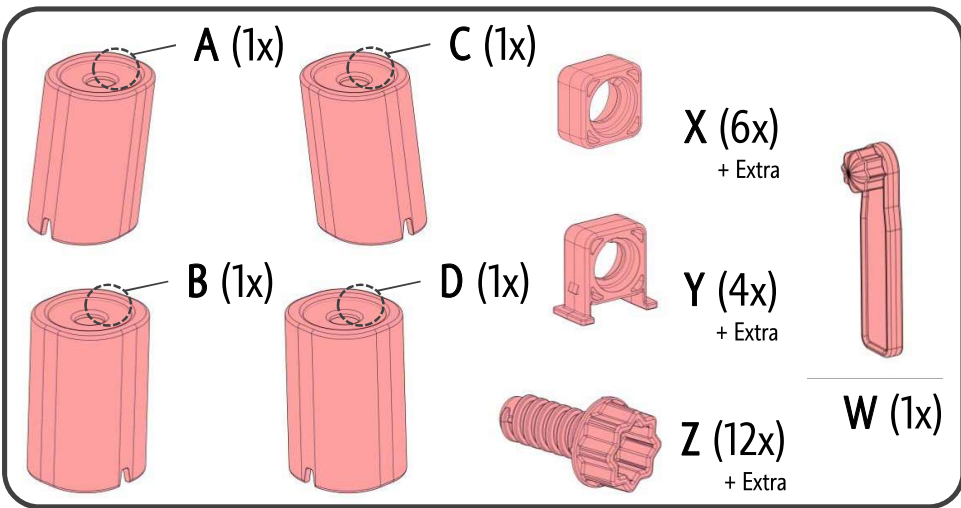
LS

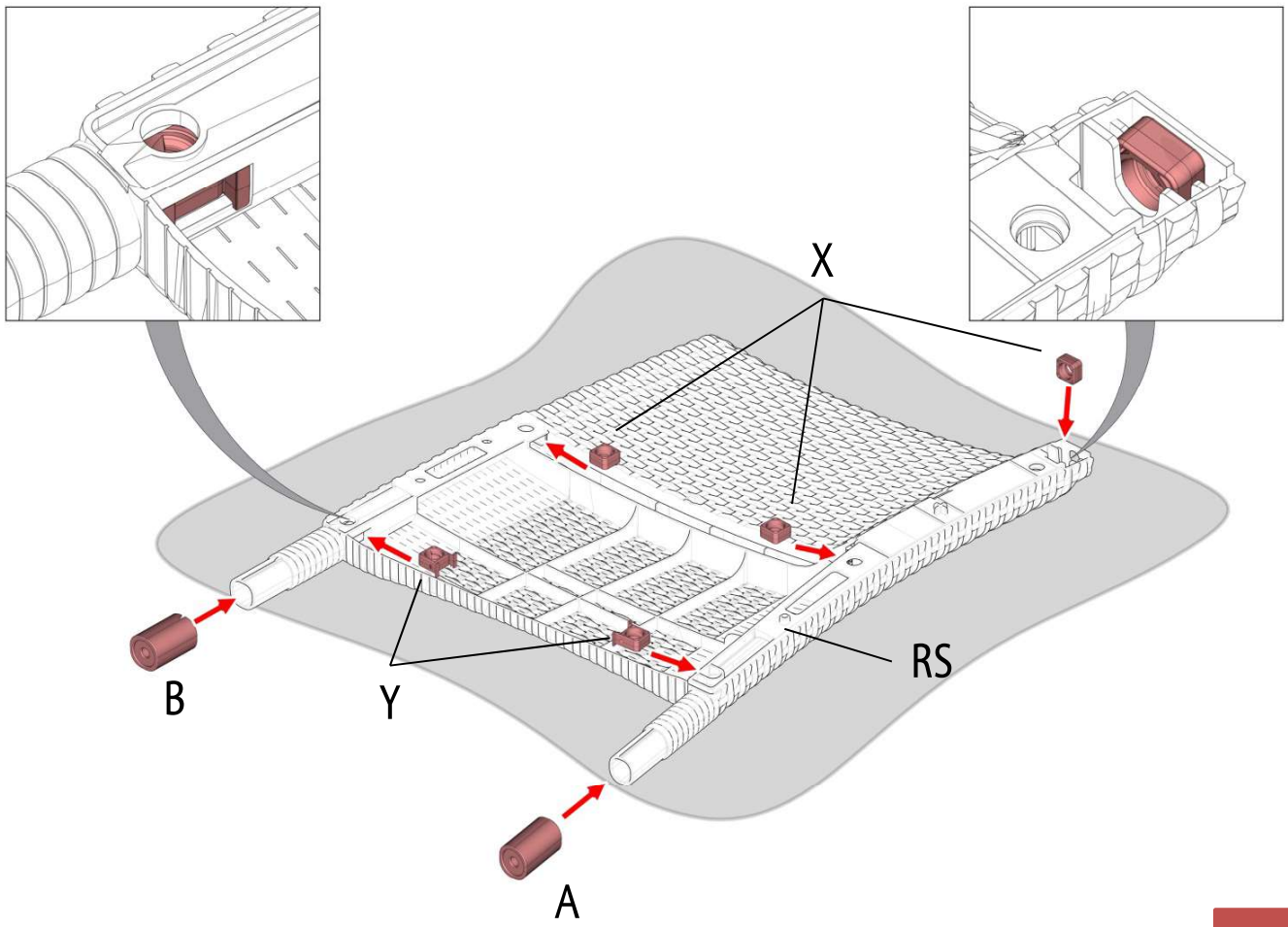


F

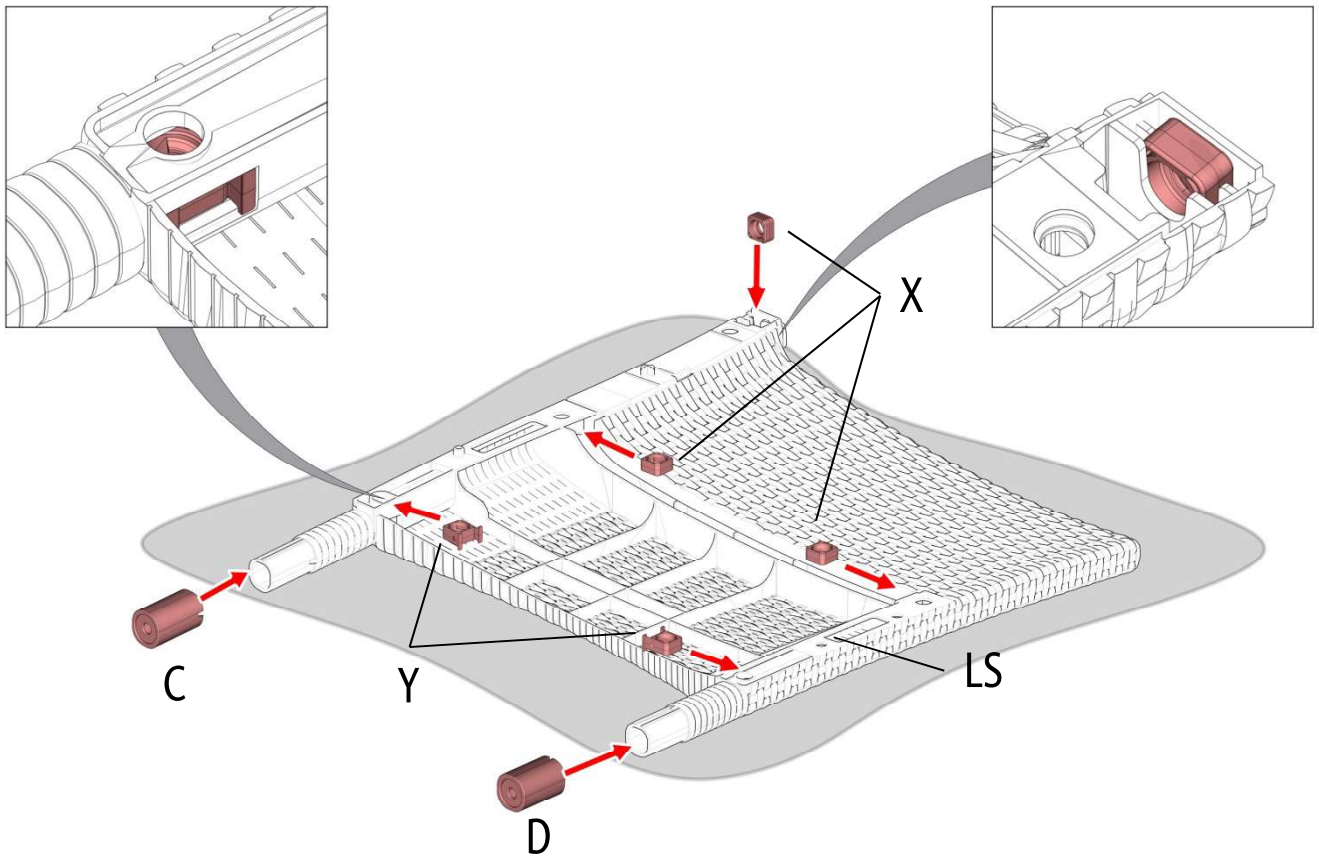


S

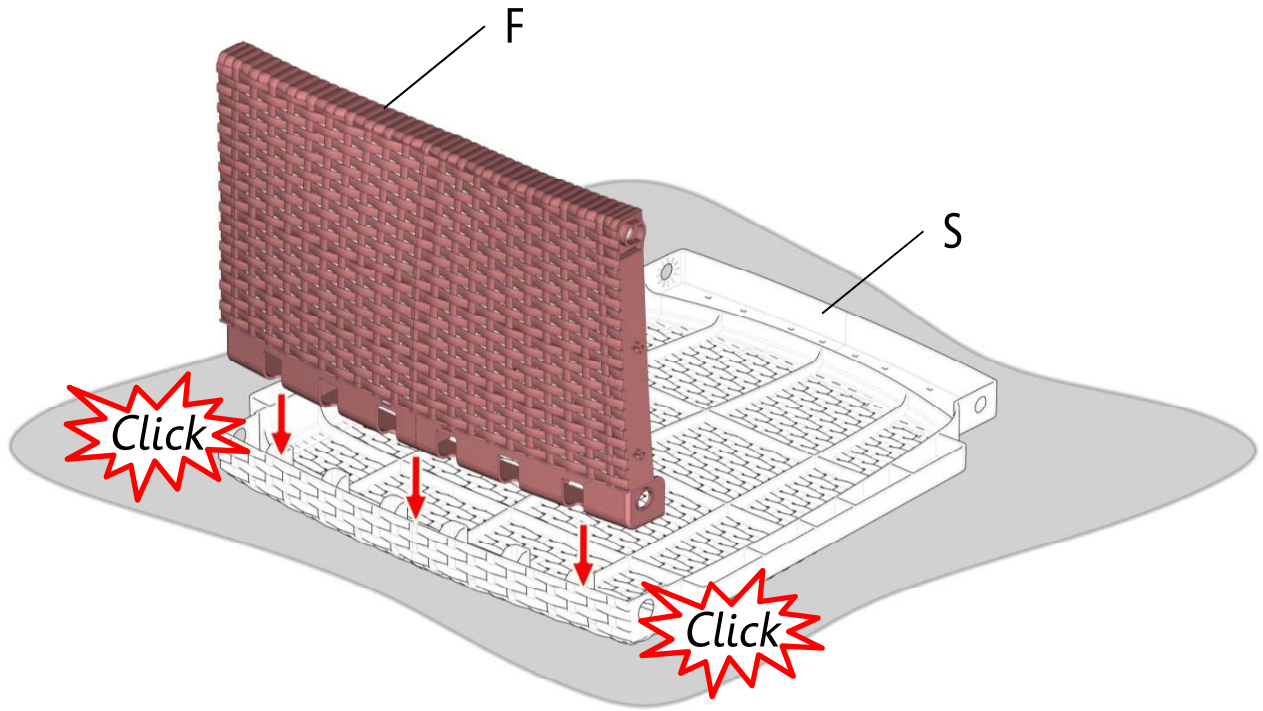




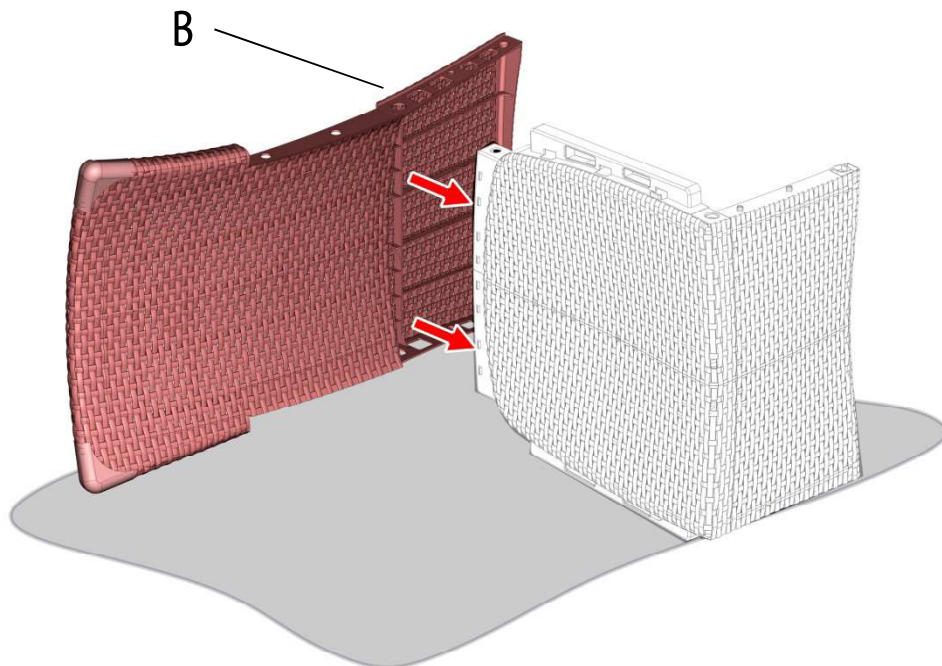
7



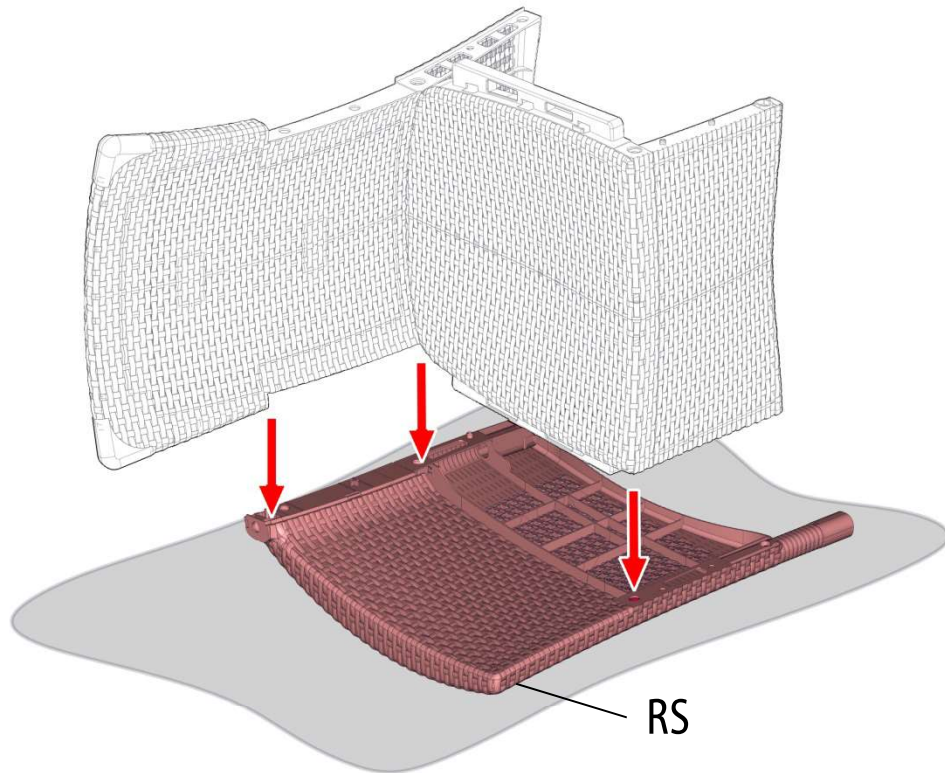
2



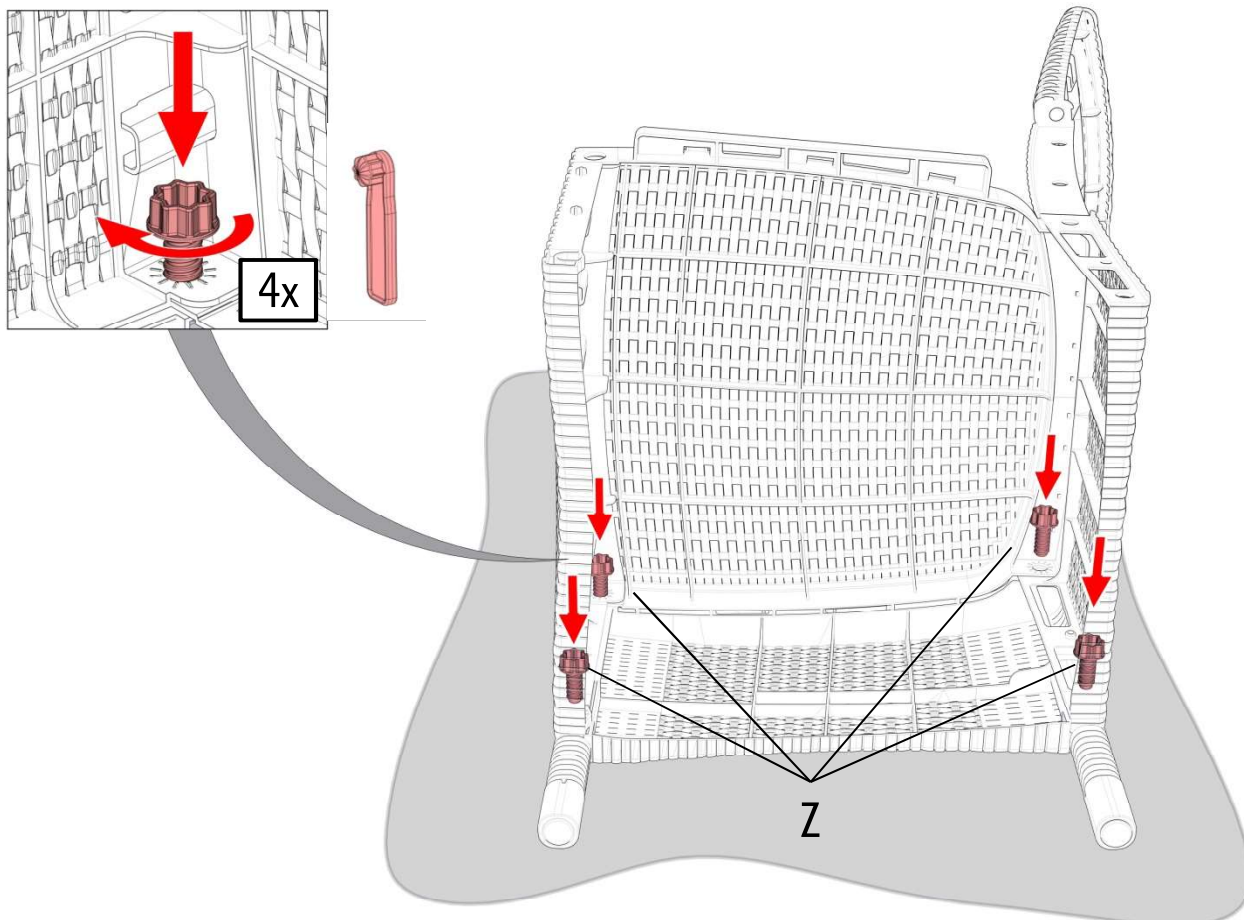
3



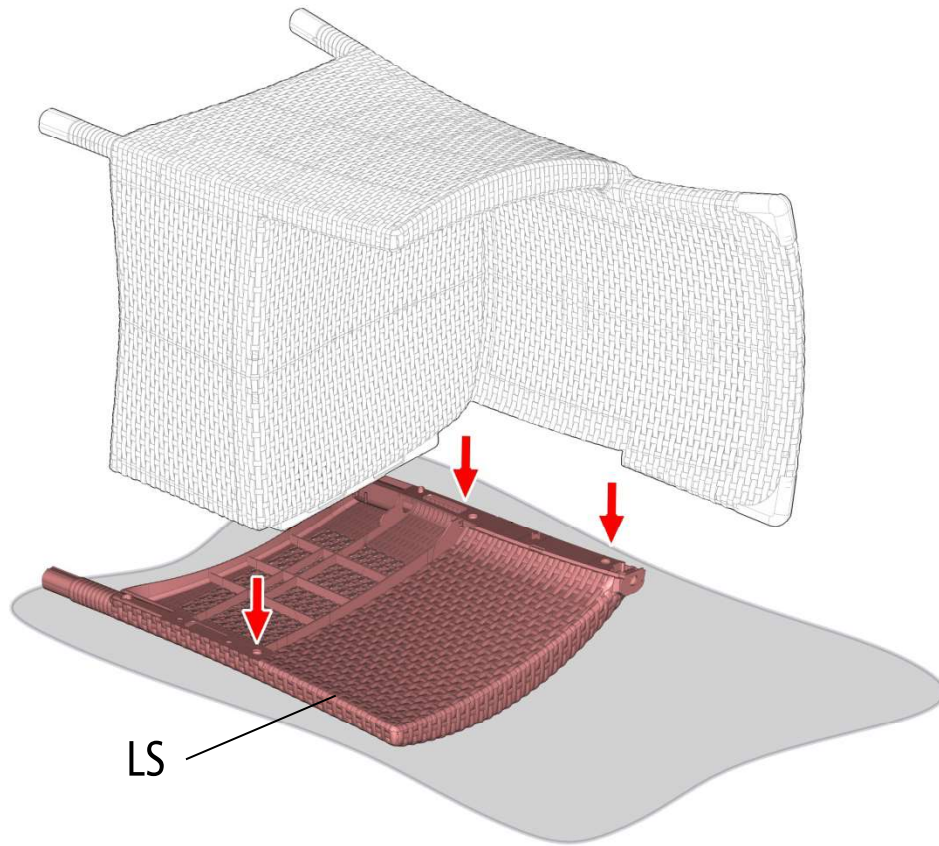
4



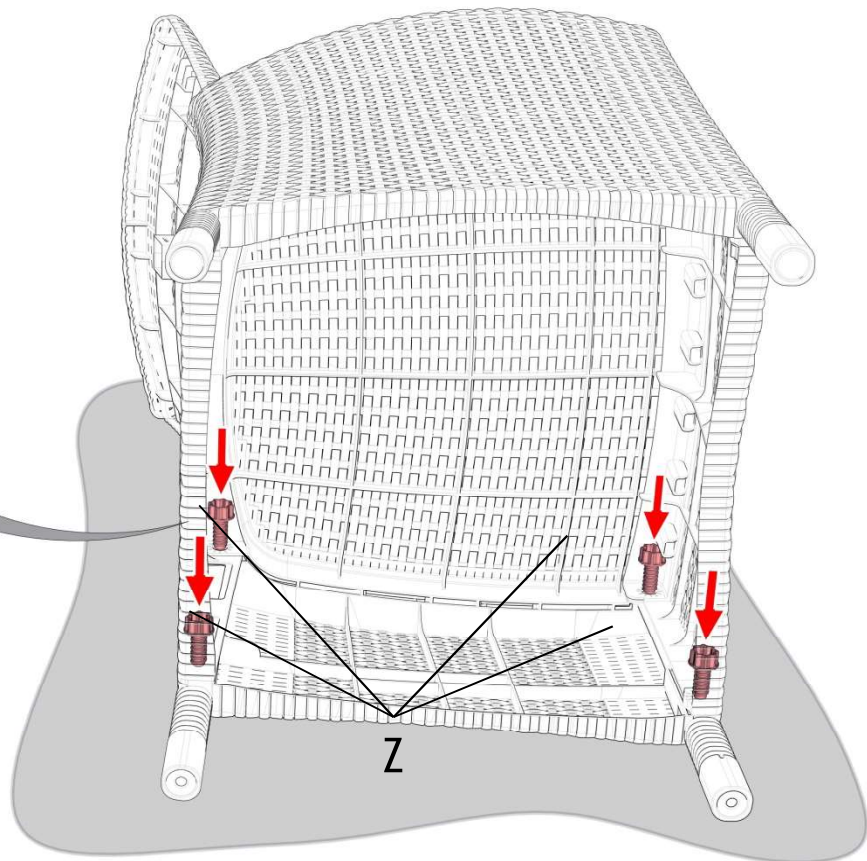
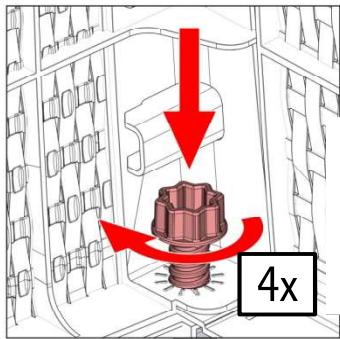
5



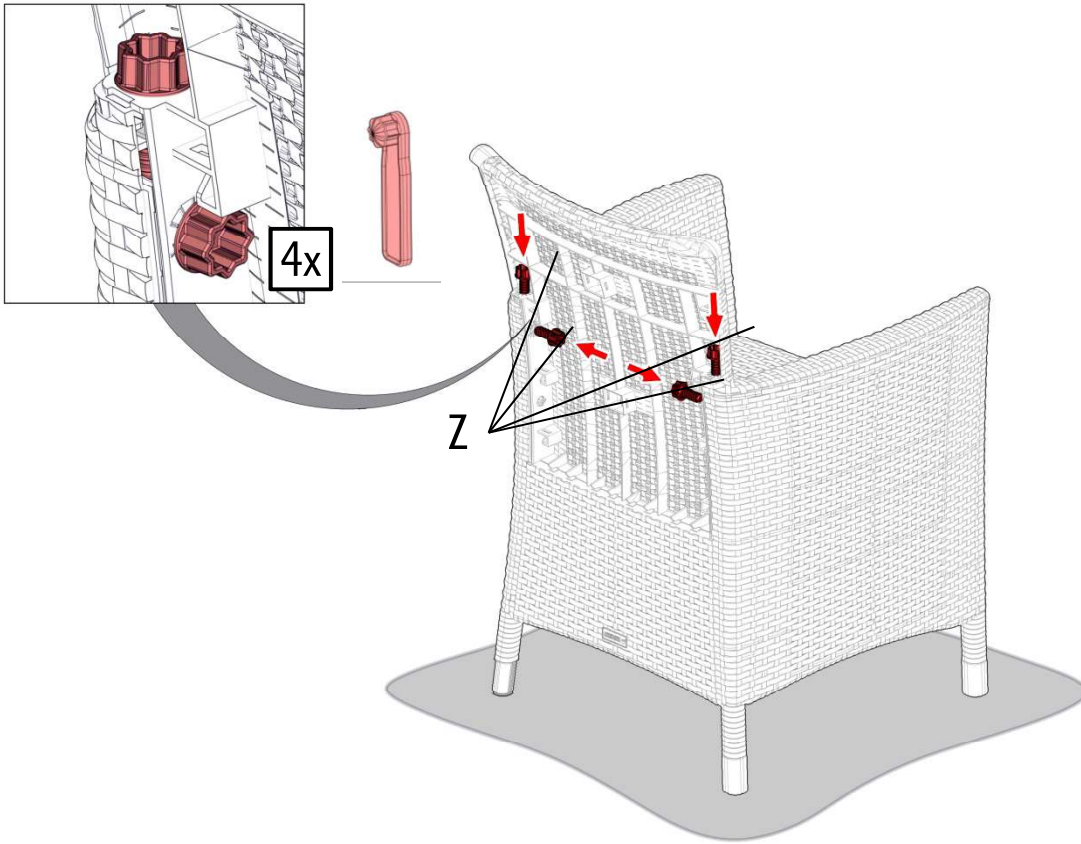
6



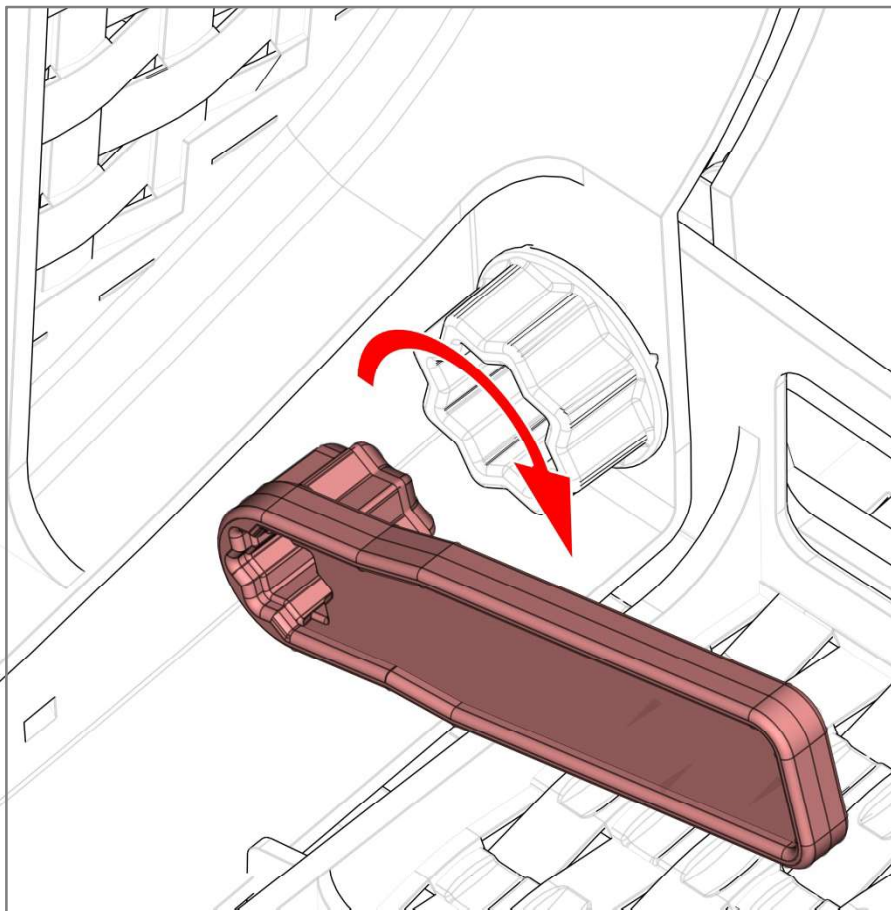
7



8



9



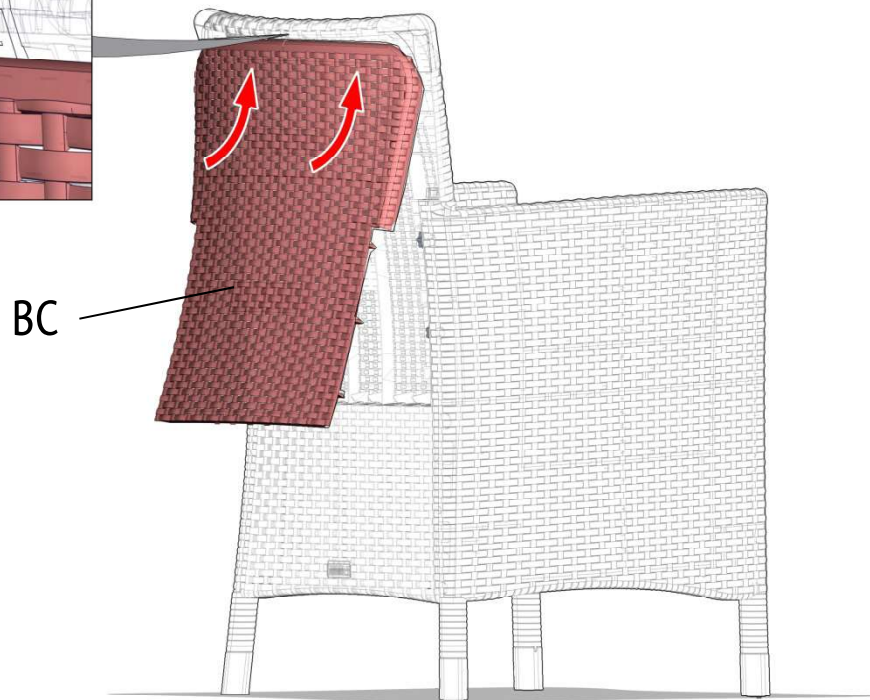
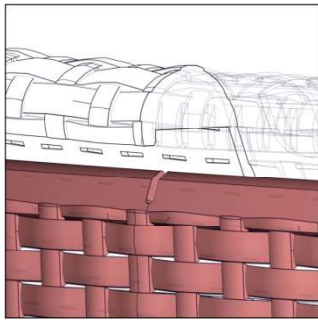
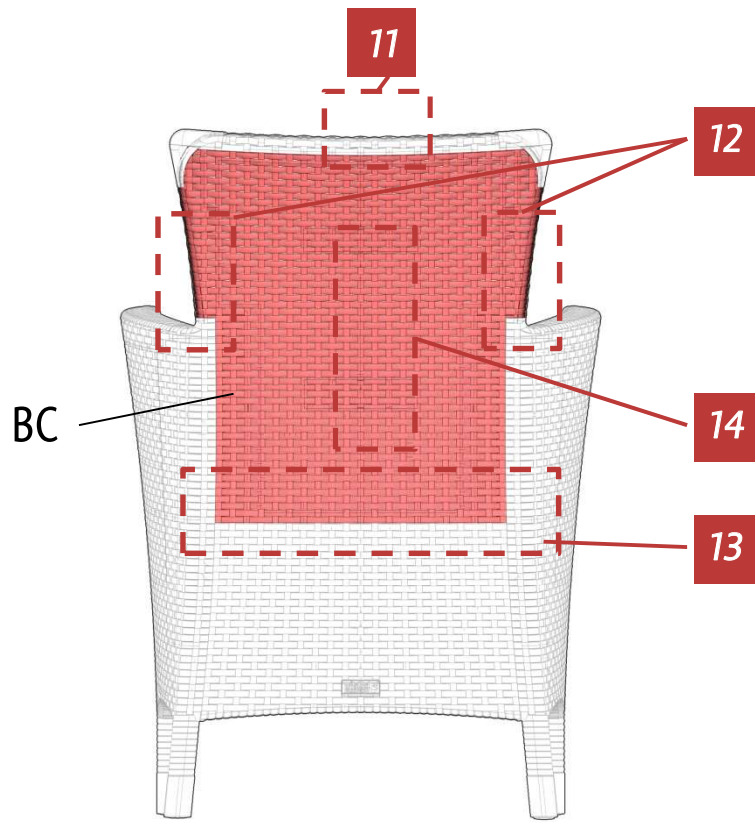
!

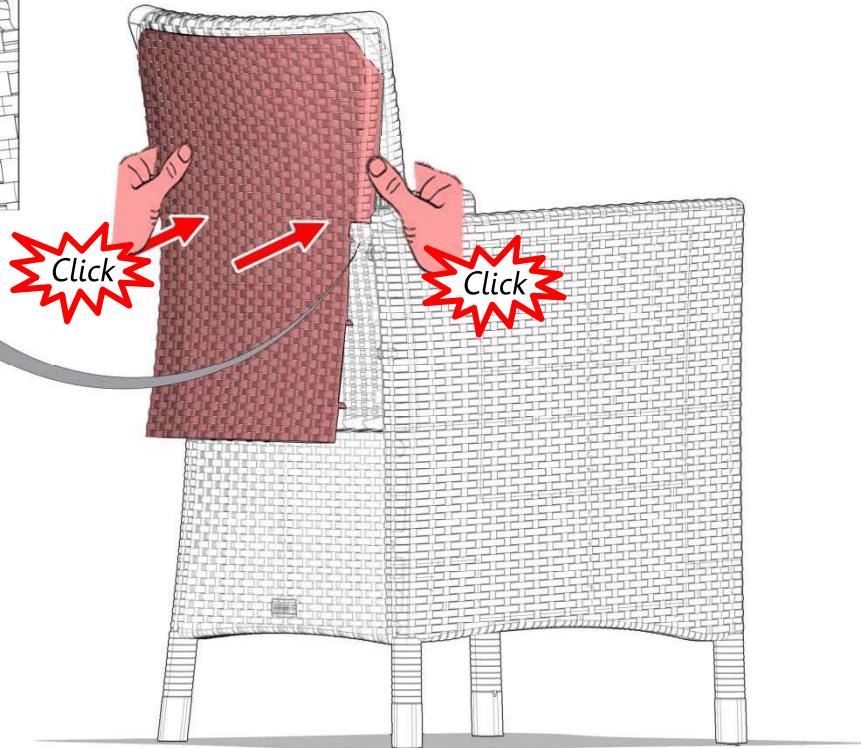
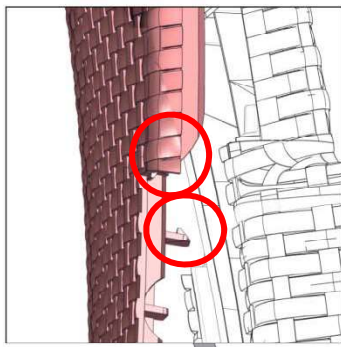
CHECK
12x

10

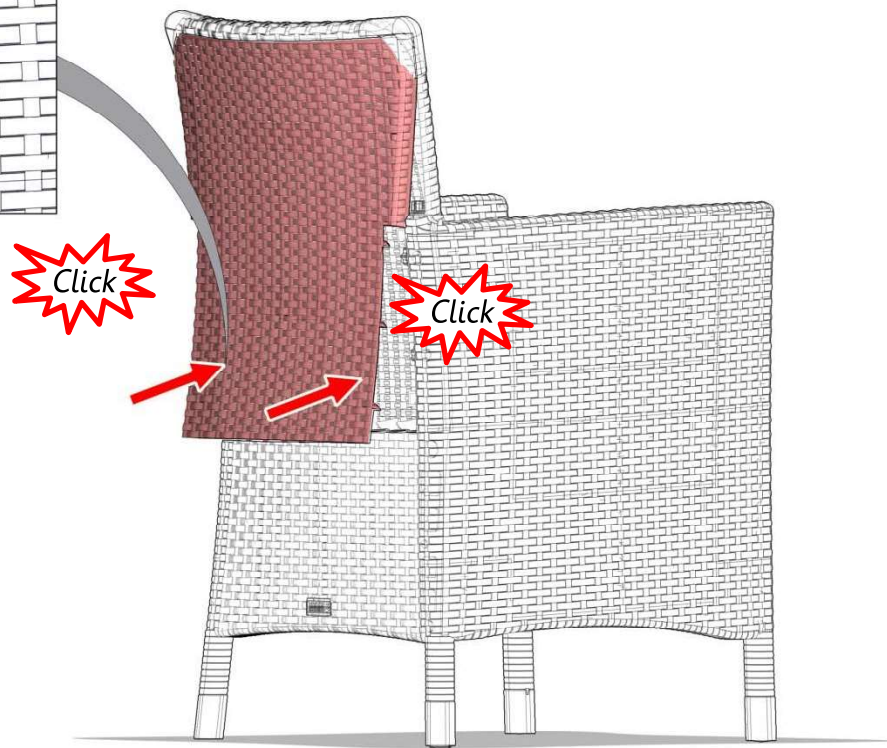
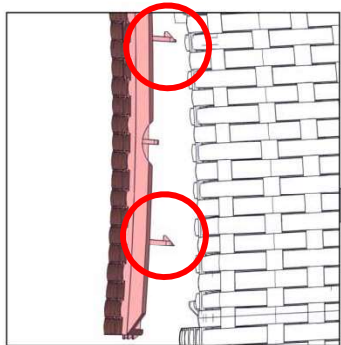


11 — 14





12



13

