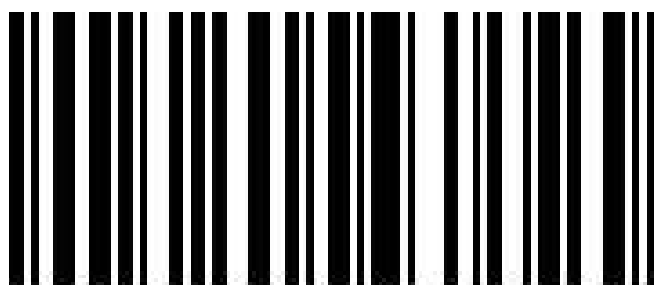
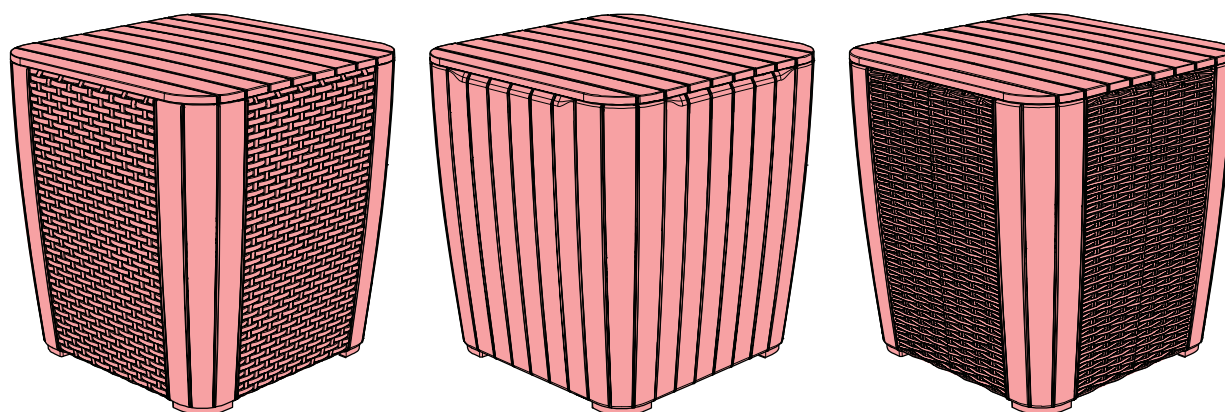


SMALL BALCONY

TABLE

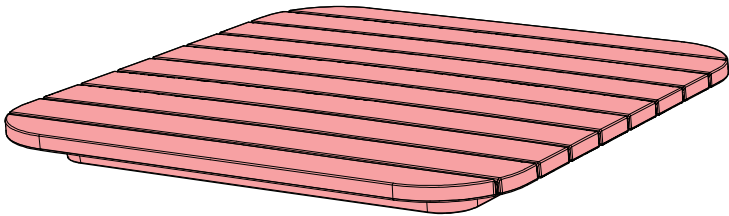
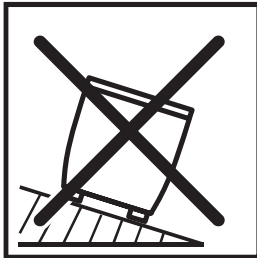
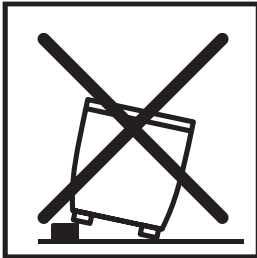
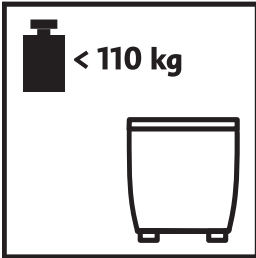
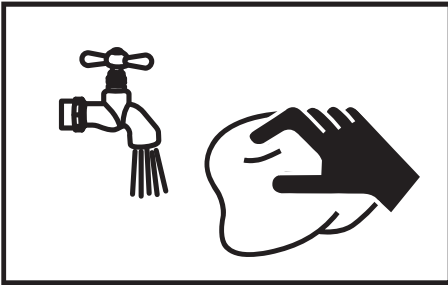


573028

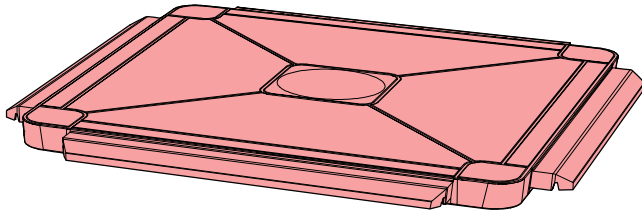
"LUZON TABLE" V1.3 / 573028 / 442160



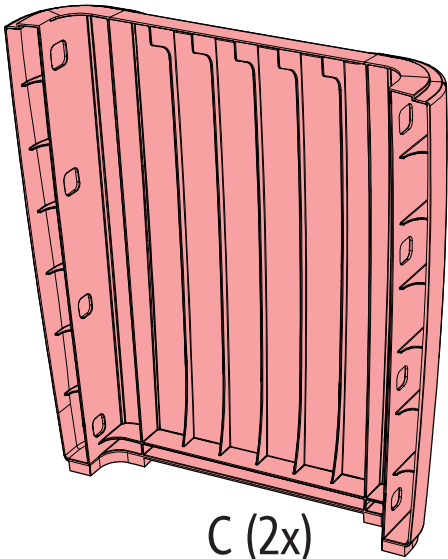
NEN 581		
✓	✓	✗



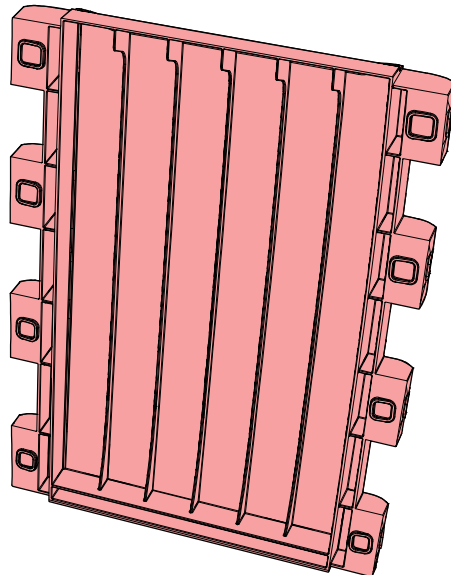
A



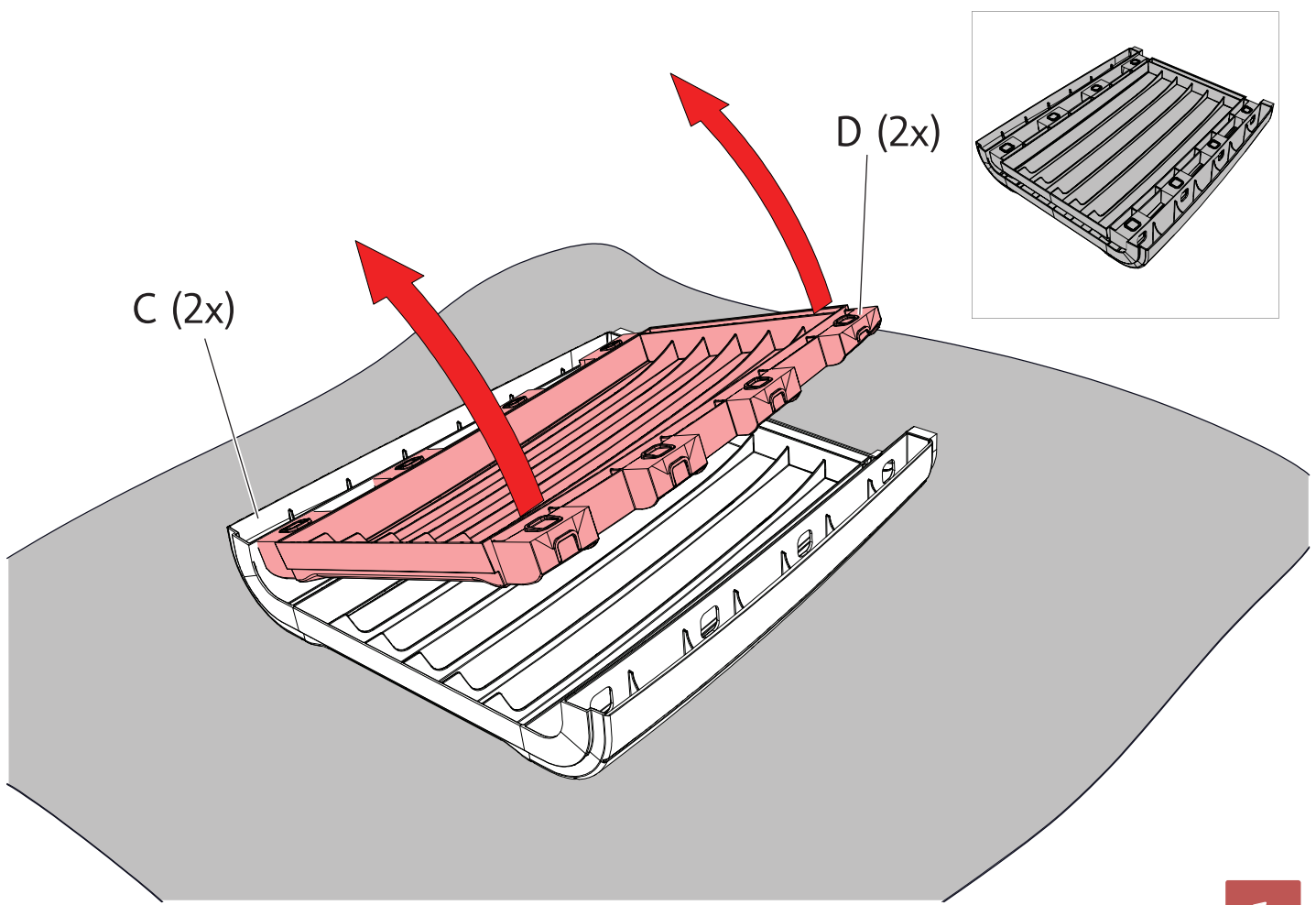
B



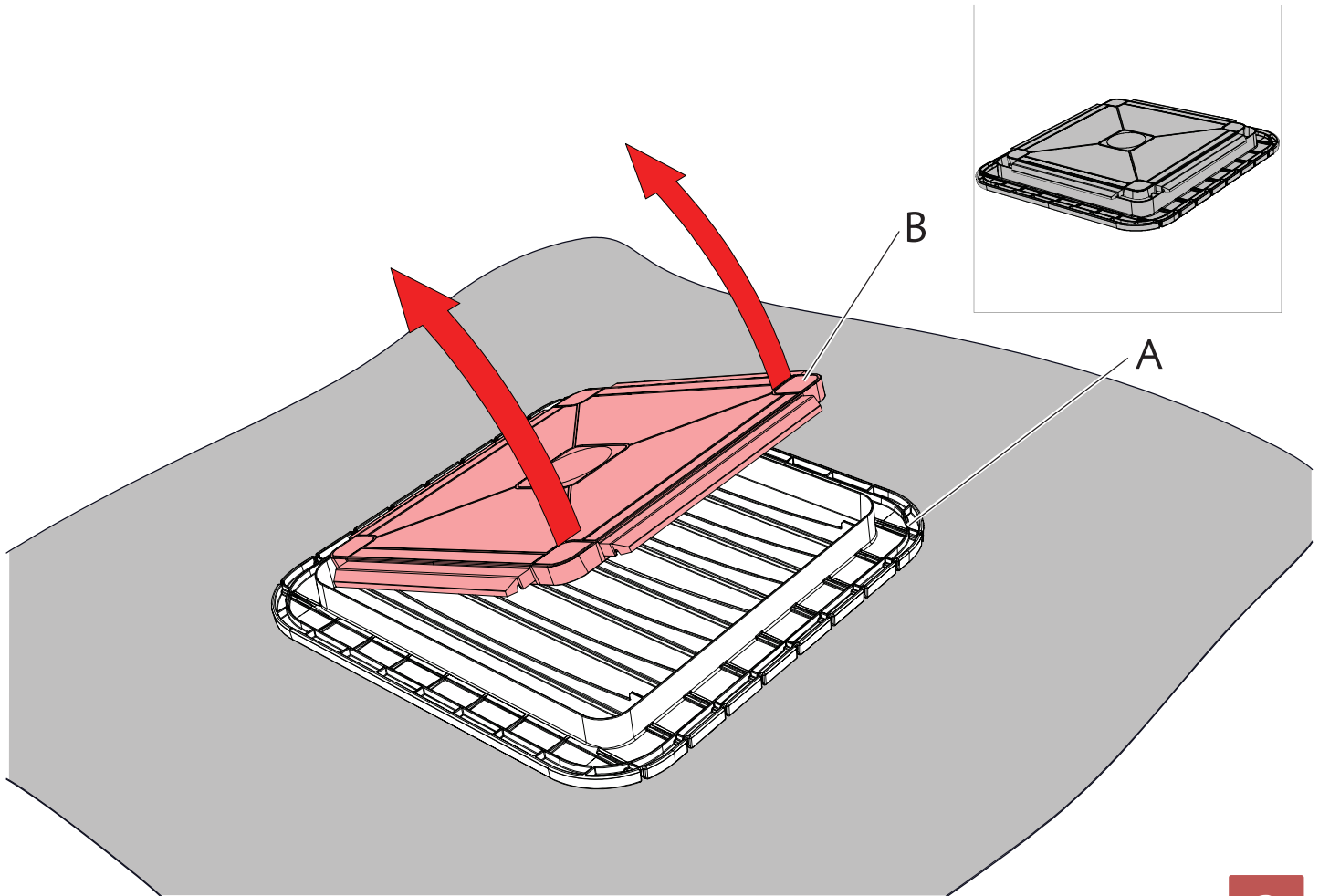
C (2x)



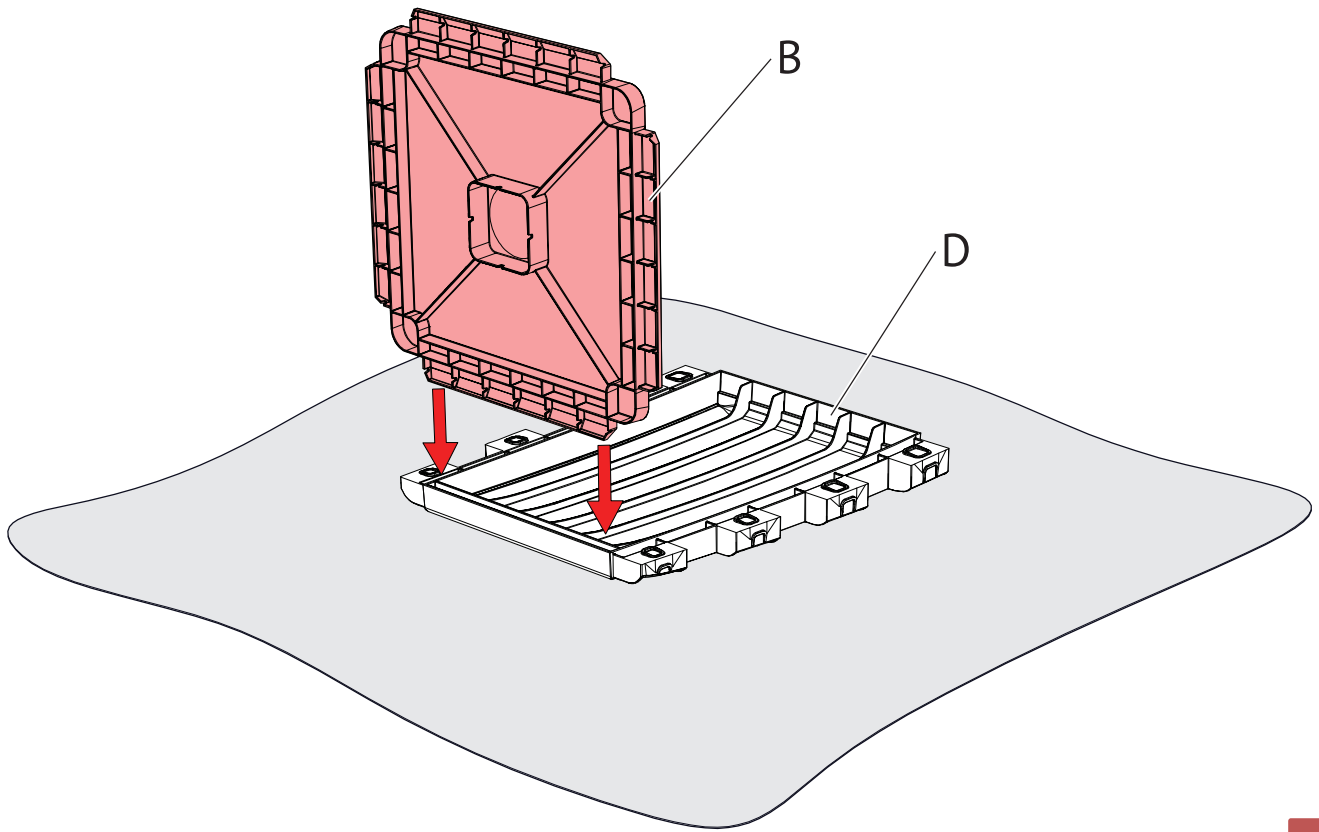
D (2x)



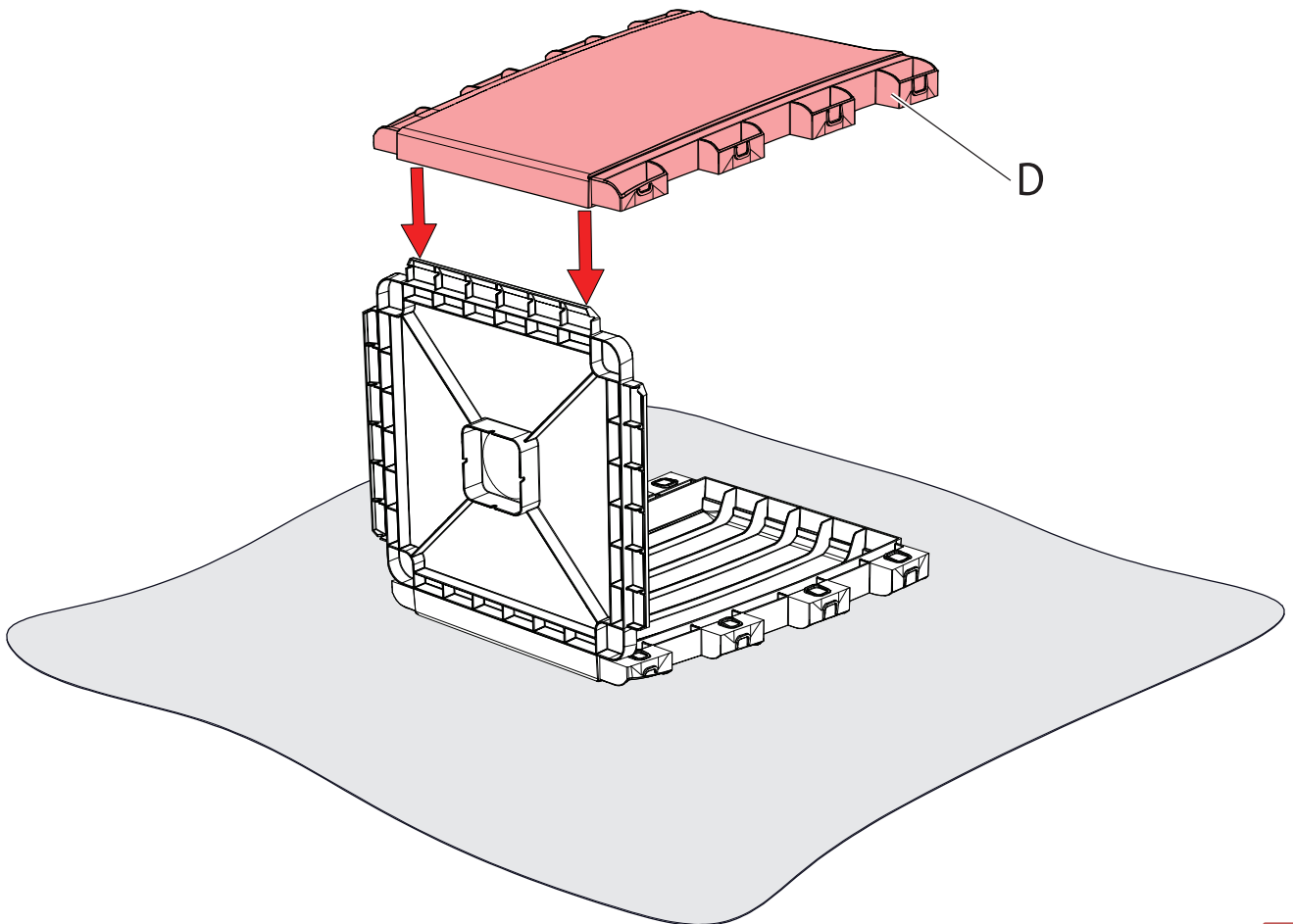
1



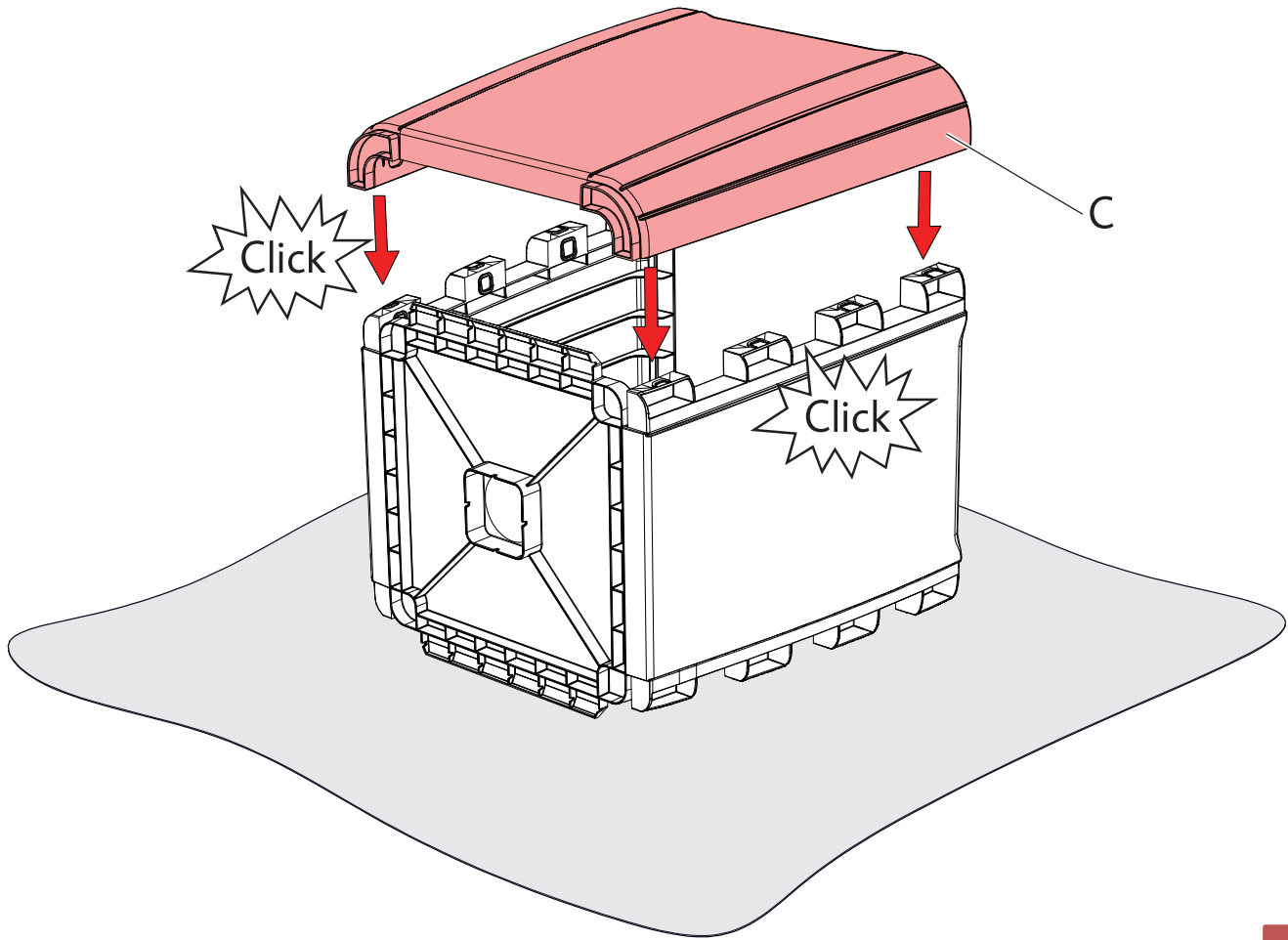
2



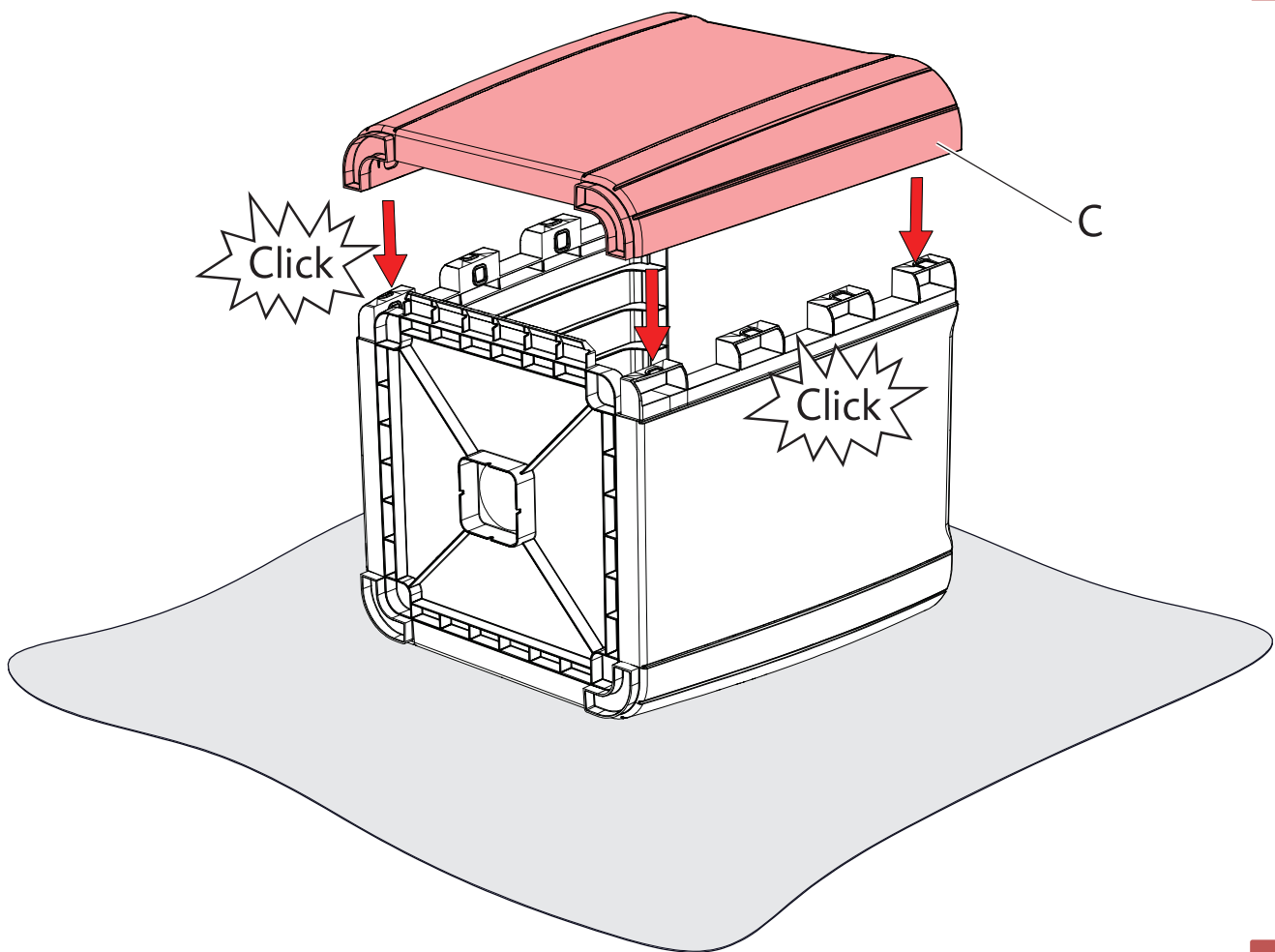
3



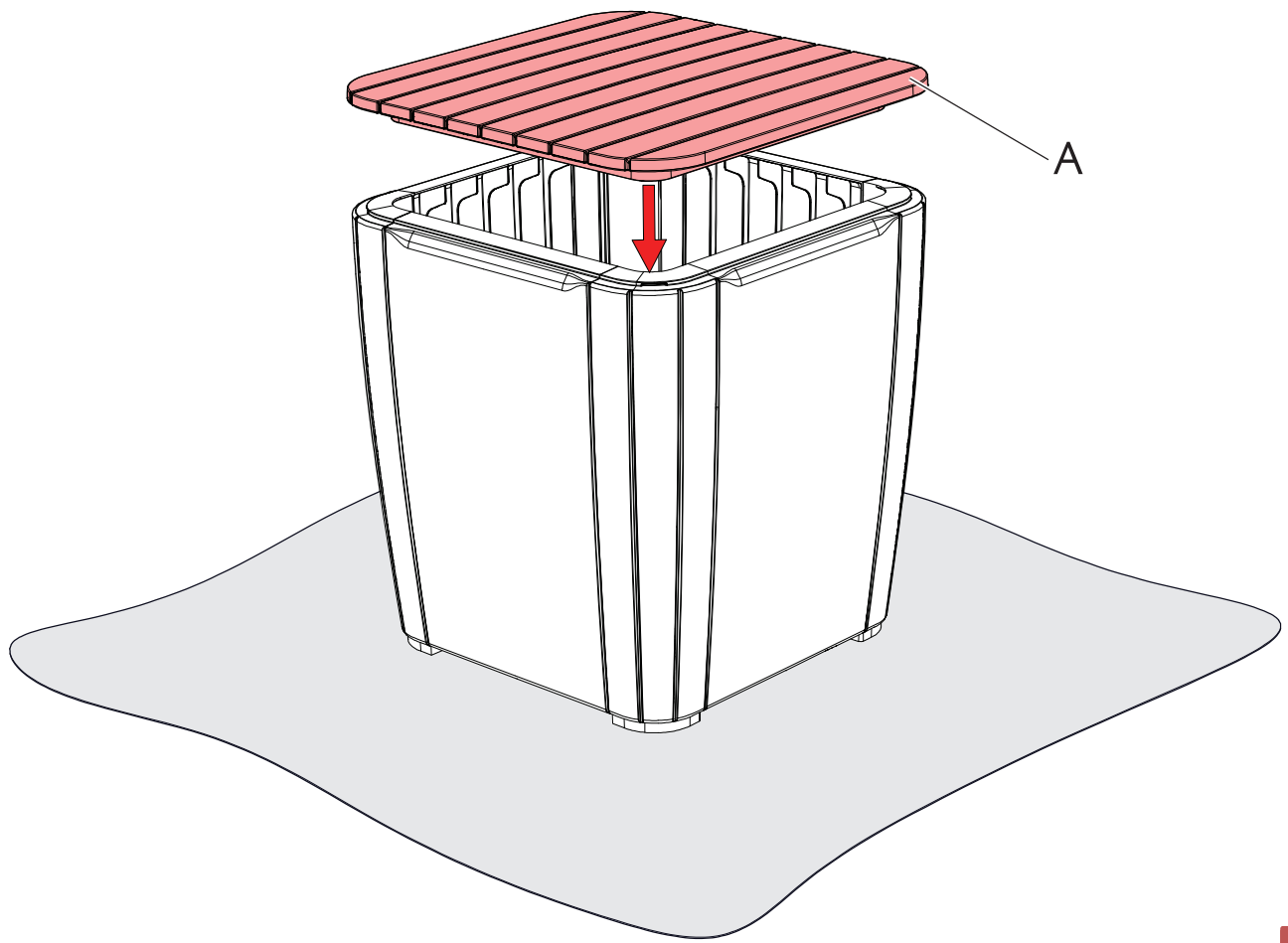
4



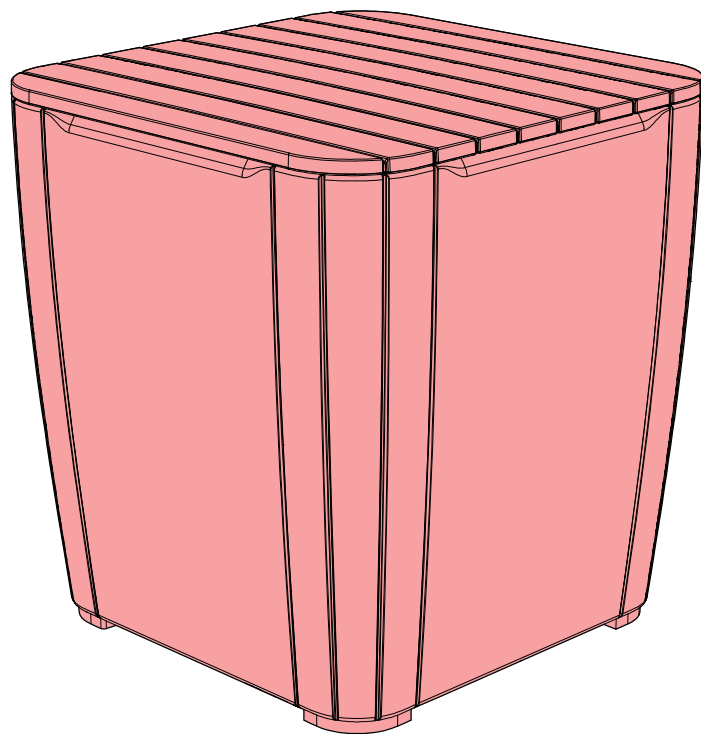
5



6



7



8